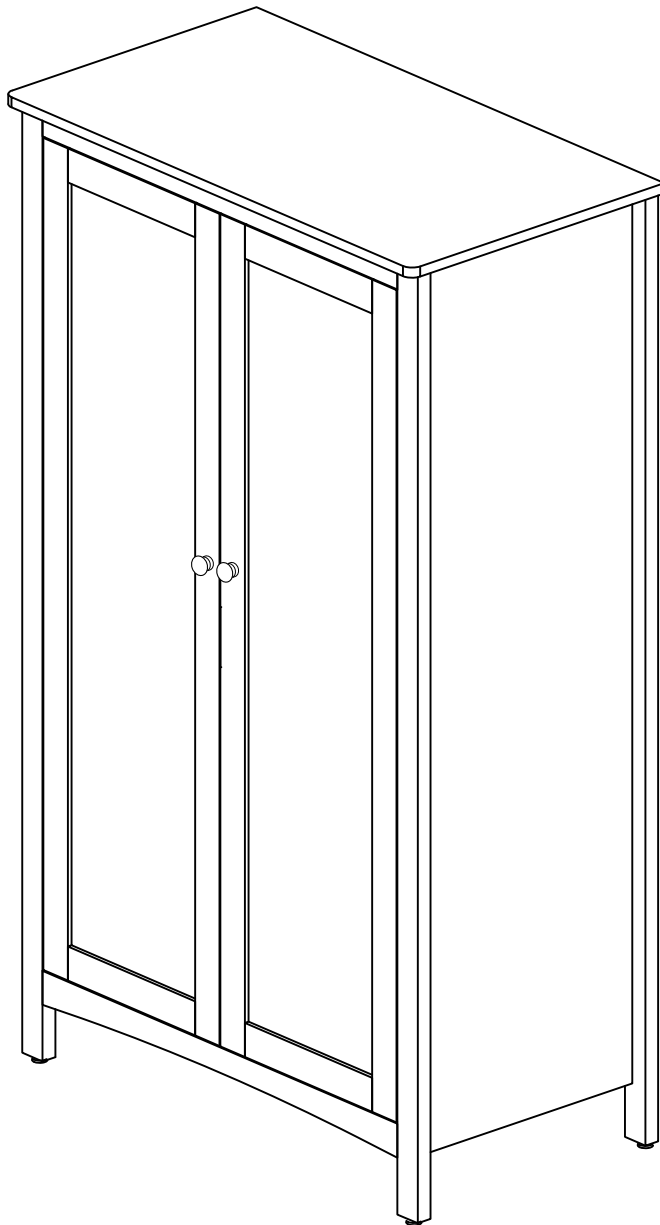


Marlow Wardrobe

Instruction manual



John Lewis

Important - Retain for future reference - please read carefully

Thank you for purchasing this Marlow Wardrobe. Please read the instructions and warnings carefully before use to ensure safe and satisfactory operation of this product.

Your child's safety is your responsibility. If you have a query with this product or require replacement parts, please contact your nearest John Lewis department store.

Important: Retain these instructions for future reference

All timber surfaces will change colour and mellow over time. New furniture will initially vary in shade from items that have been previously purchased.

Lay out the parts on a soft level surface and check that all parts are present before attempting to construct the product.

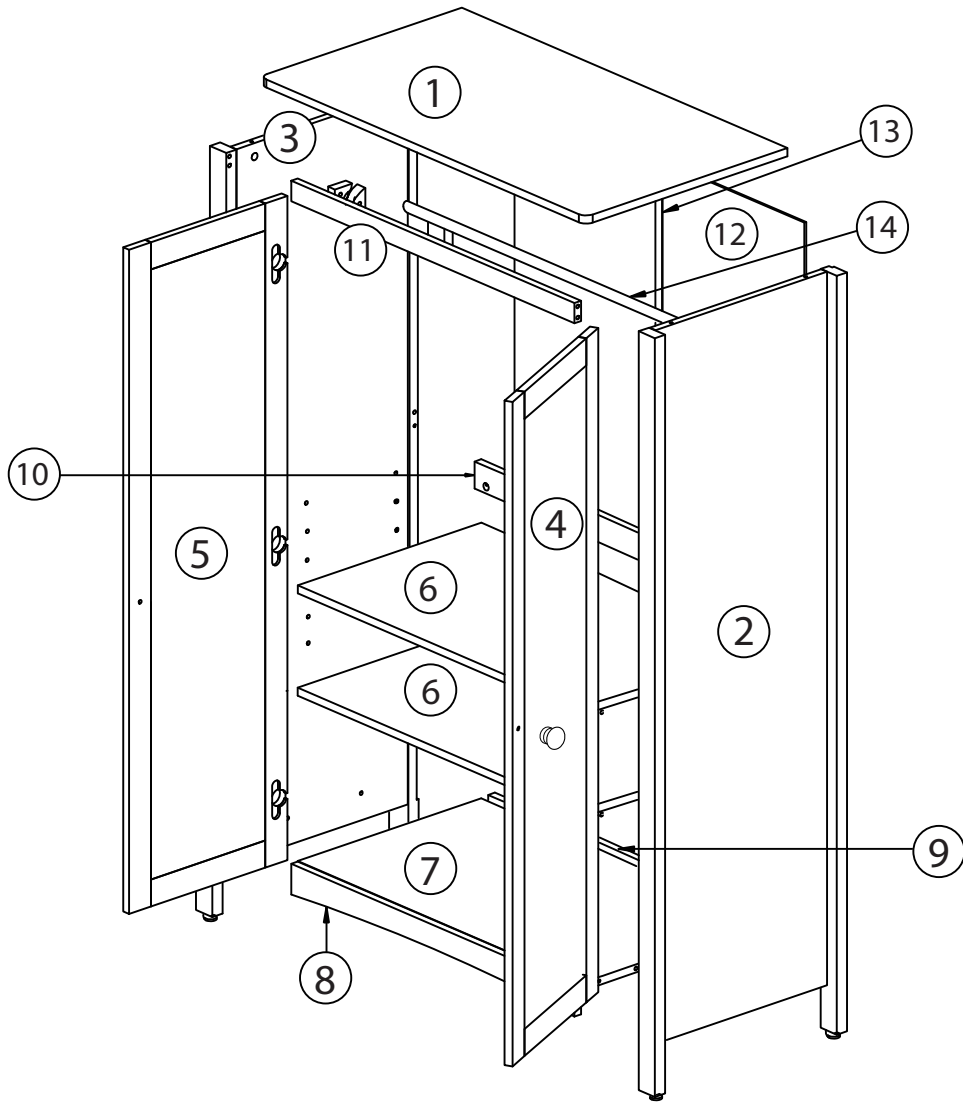
Warning! Keep children clear during assembly as pack contains small parts which may present a choking hazard.

This product complies with below standards

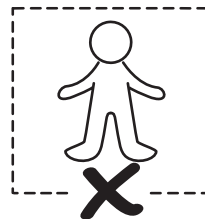
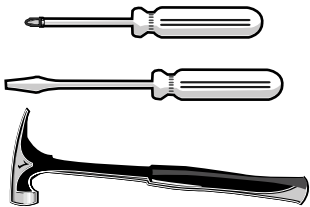
BS 4875-7: 2006

BS EN 14749: 2005

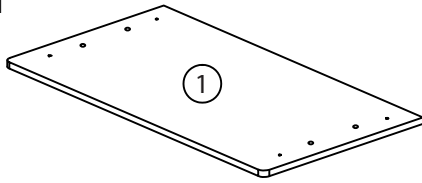
Fittings and parts checklist



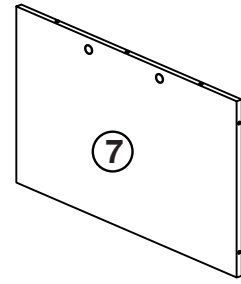
Tools required



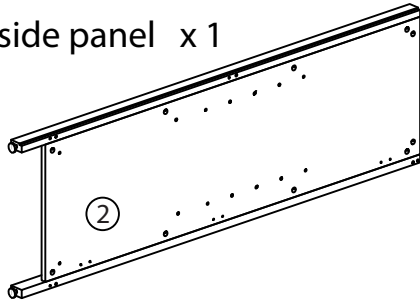
(1) - Top x 1



(7) - Bottom panel x 1

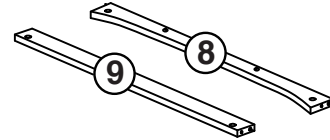


(2) - Right side panel x 1

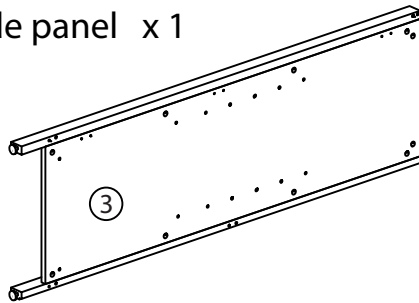


(8) - Front Bottom rail x 1

(9) - Back Bottom rail x 1

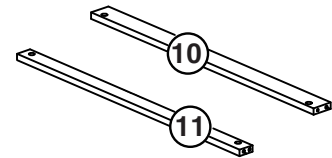


(3) - Left side panel x 1

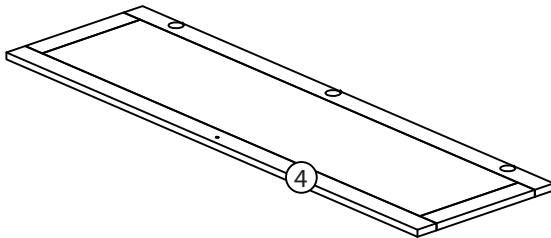


(10) - Back middle rail x 1

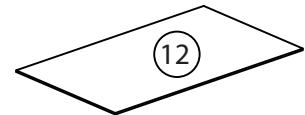
(11) - Front top rail x 1



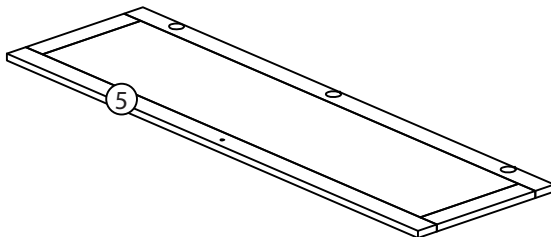
(4) - Door x 1



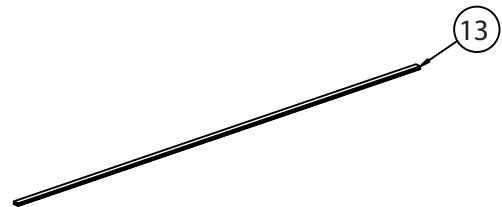
(12) - Back panel x 4



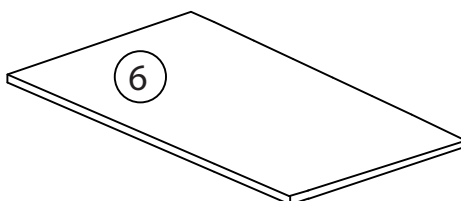
(5) - Door x 1



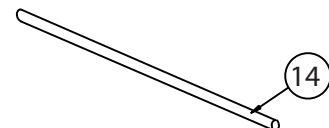
(13) - Plastic rail x 2

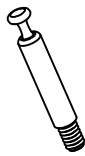


(6) - Shelves x 2



(14) - Hanging rail x 1



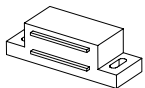
A -  x 14 pcs

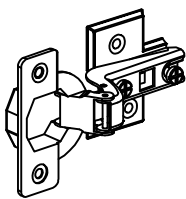
I -  x 01 pc

B -  x 14 pcs

J -  x 08 pcs

C -  x 19 pcs

L -  x 04 pcs

D -  x 6 pcs

M -  x 02 pcs

E -  x 6 pcs

N -  x 01 pc

F -  x 8 pcs

O -  x 01 pc

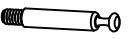






G -  x 36 pc

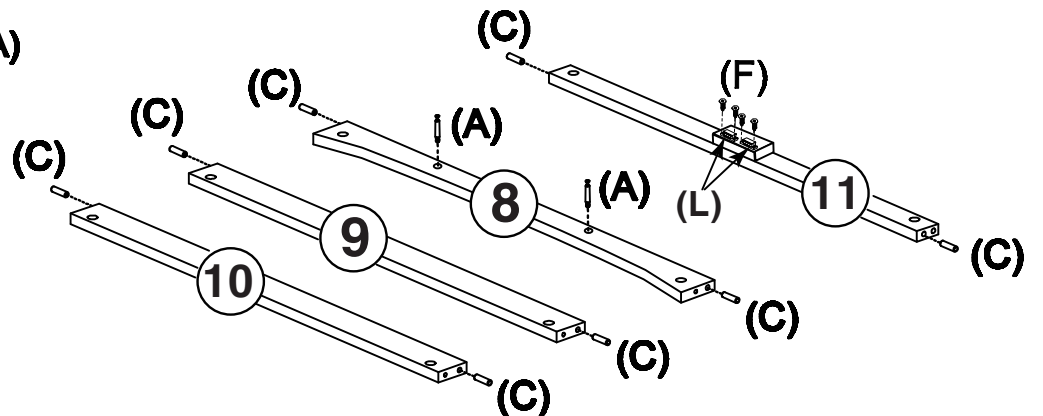
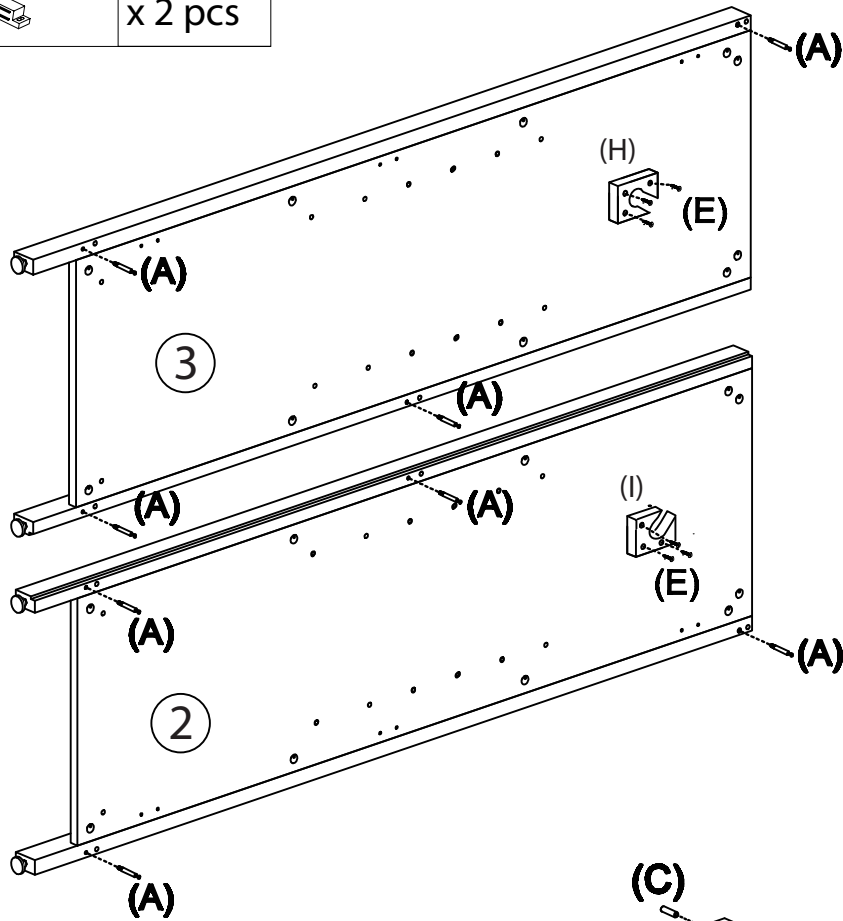
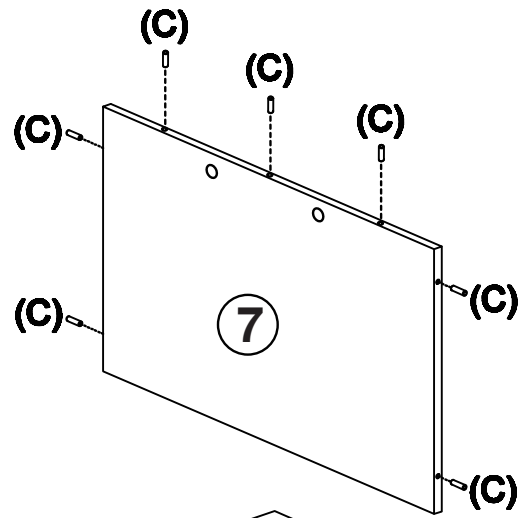
P -  x 24 pcs

H -  x 01 pc

Q -  x 02 pcs

Step I

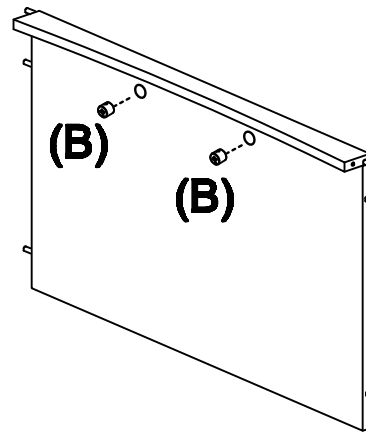
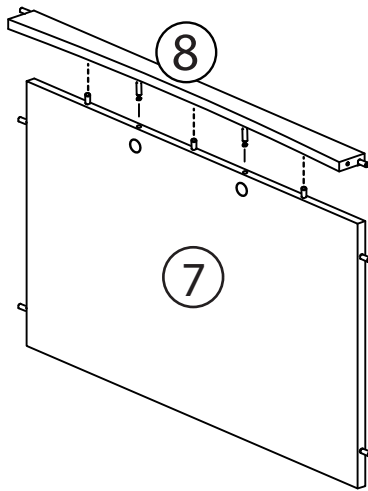
A		x 10 pcs
C		x 15 pcs
E		x 6 pcs
F		x 4 pcs
H		x 1 pc
I		x 1 pc
L		x 2 pcs



Step 2

Fittings

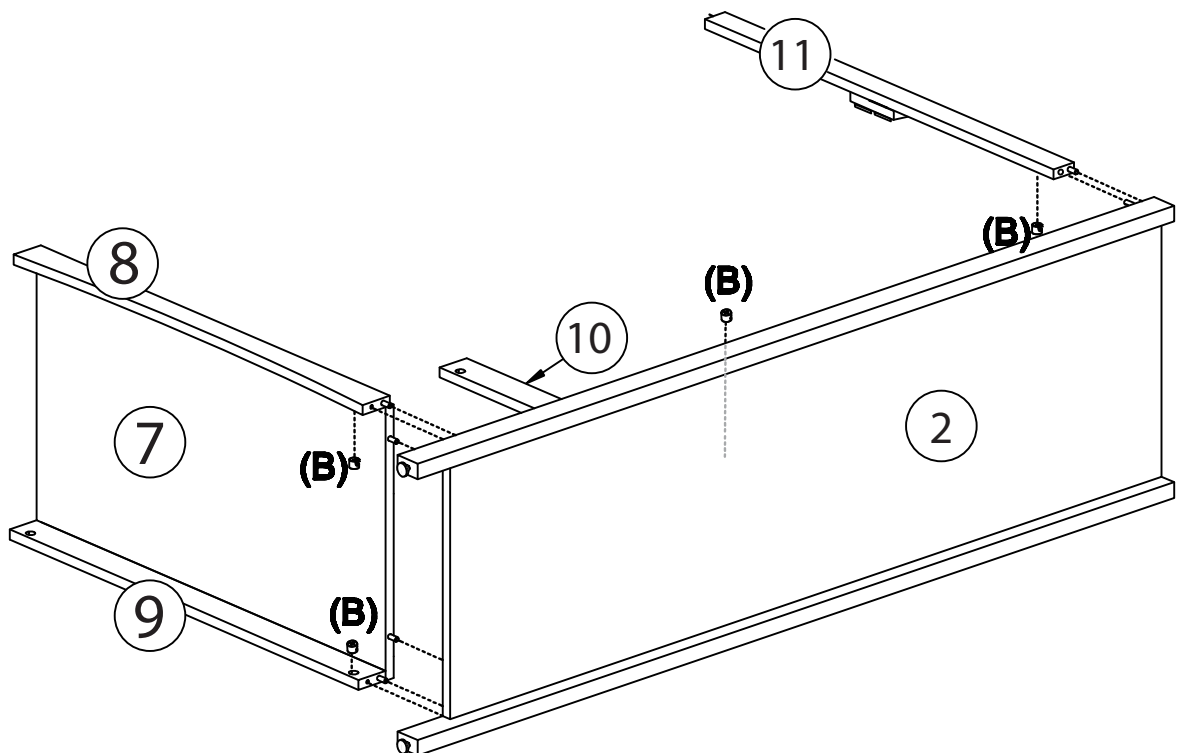
B		x 2 pcs
---	---	---------



Step 3

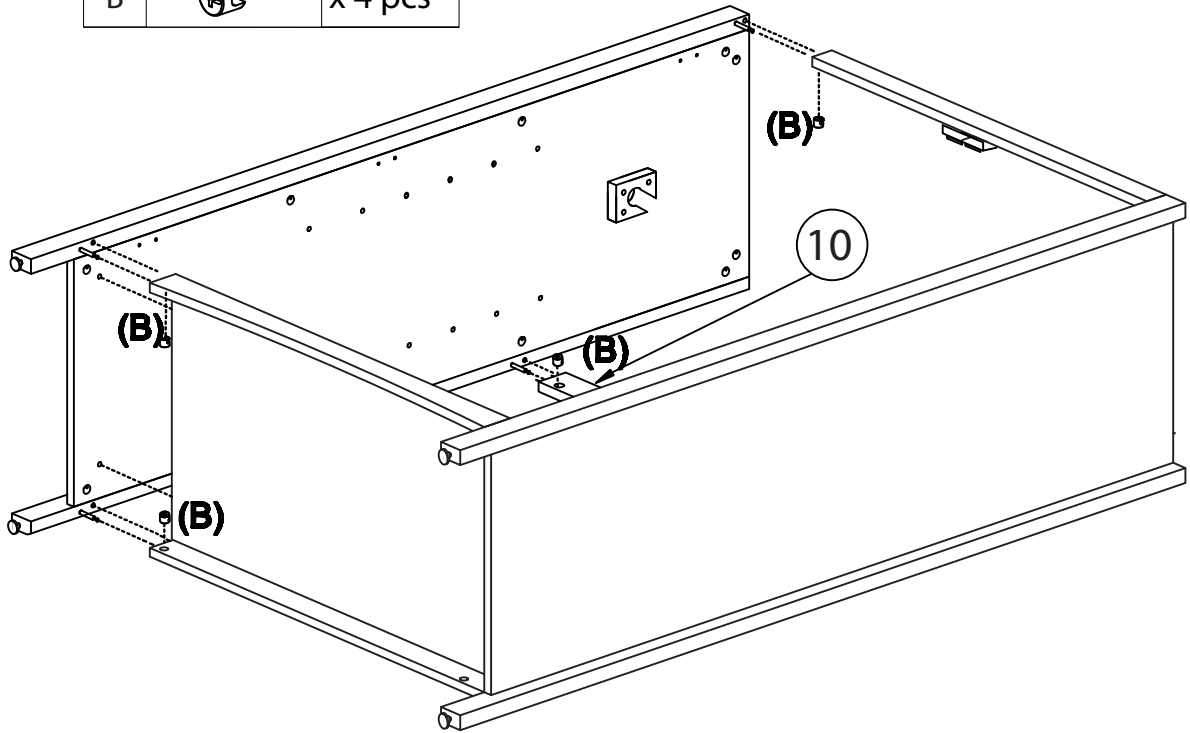
Fittings

B		x 4 pcs
---	---	---------



Step 4

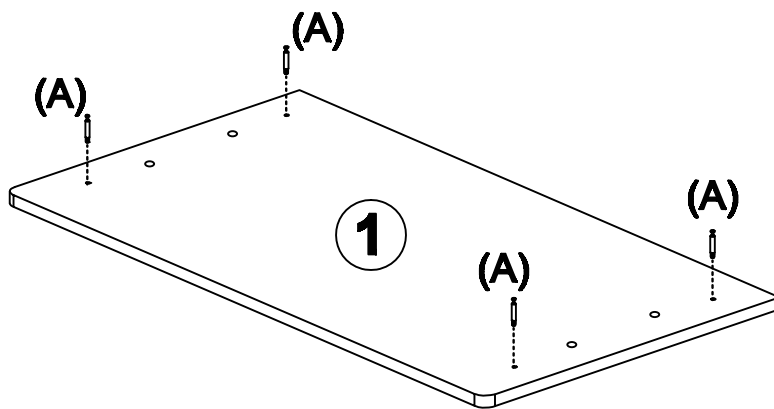
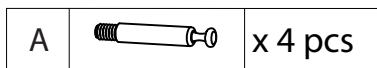
Fittings



Please ensure that the wardrobe is laid on its back when assembling



Step 5

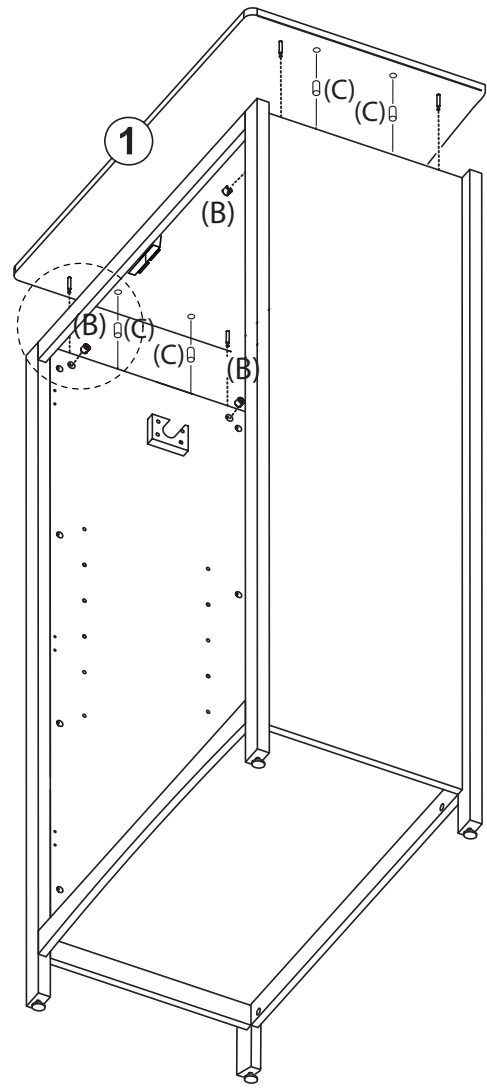
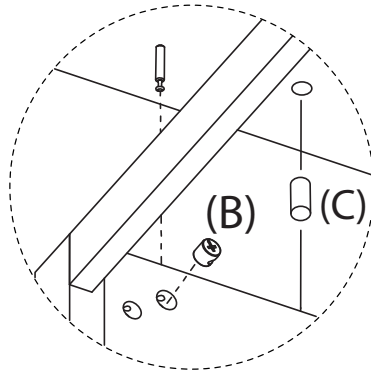
Fittings



Step 6

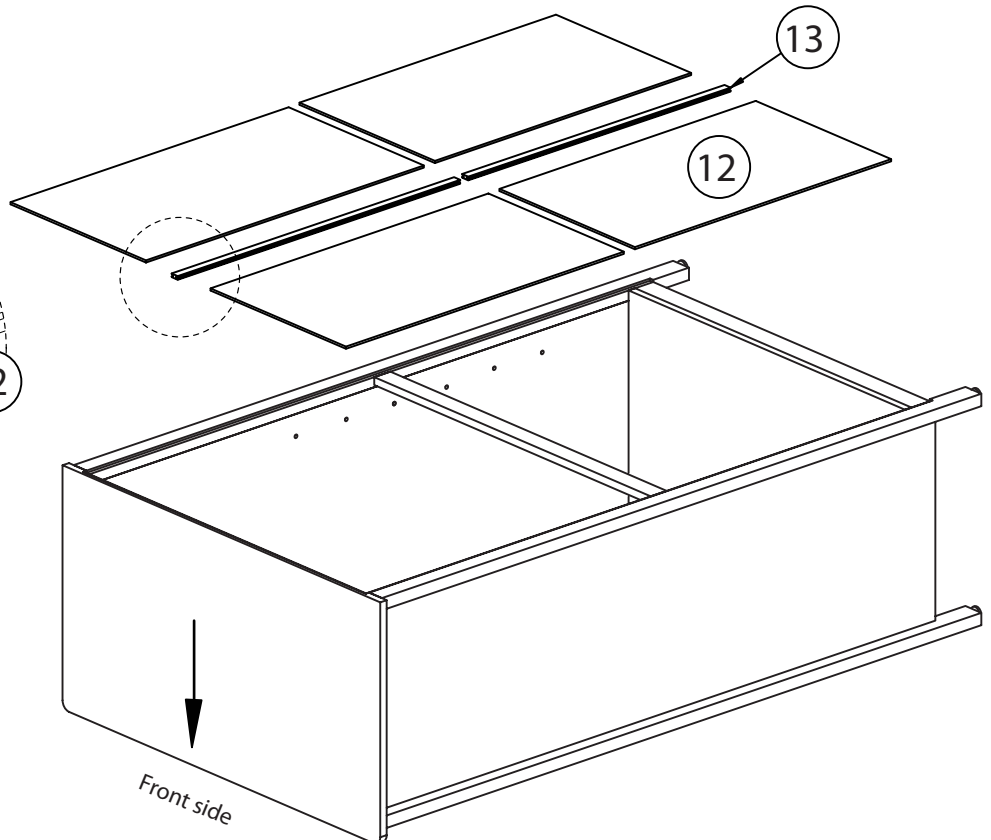
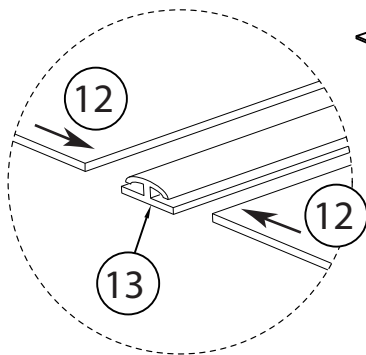
Fittings

C		x 4 pcs
B		x 4 pcs



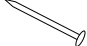
Stand the wardrobe in the upright position from back to front and assemble the top (part1)

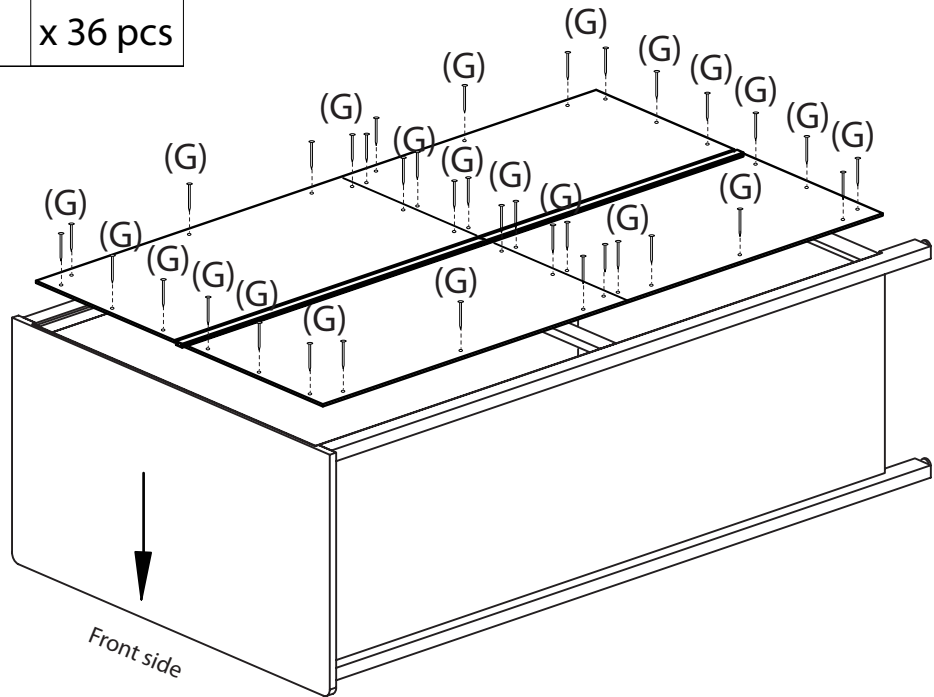
Step 7 Lay wardrobe on its front to fit the back panel



Step 8

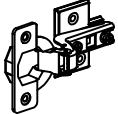



Fittings

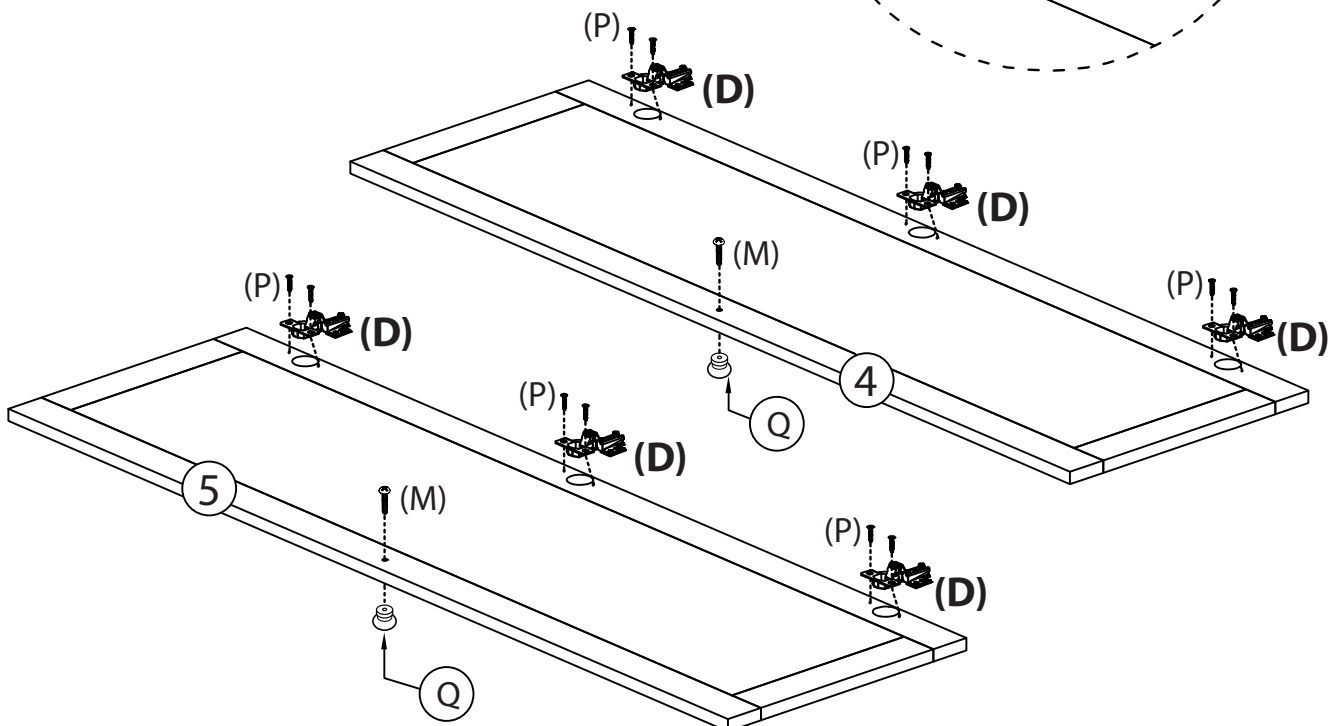
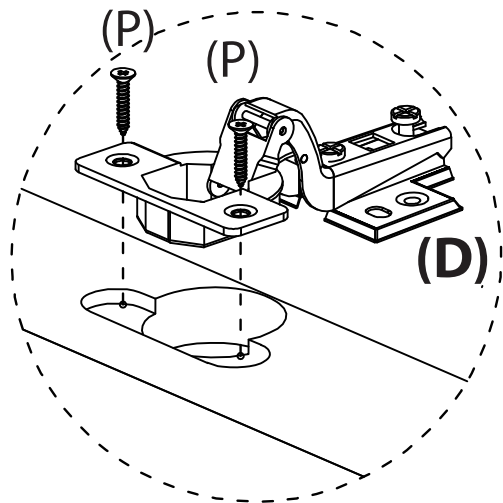
G		x 36 pcs
---	---	----------



Step 9

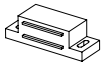


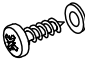


Fittings

D		x 6 pcs
M		x 2 pcs
P		x 12 pcs
Q		x 2 pcs

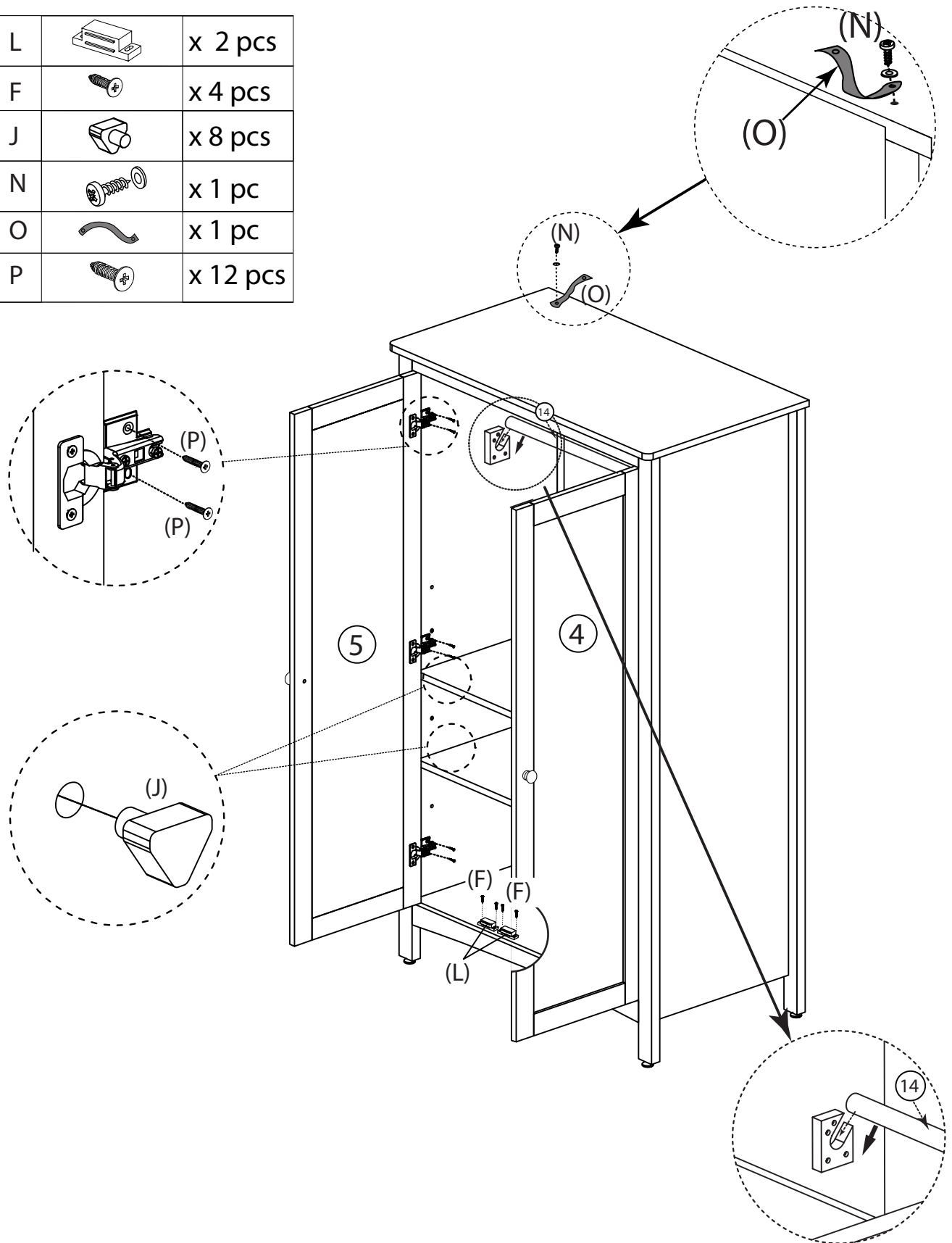


Step 10

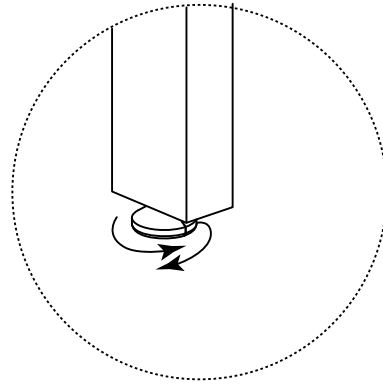
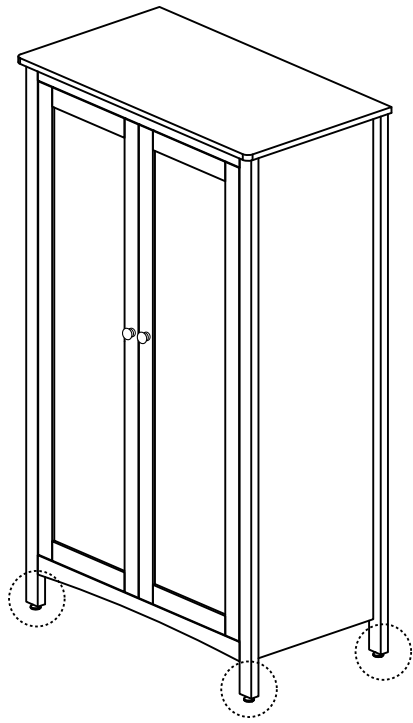
Fittings

L		x 2 pcs
F		x 4 pcs
J		x 8 pcs
N		x 1 pc
O		x 1 pc
P		x 12 pcs

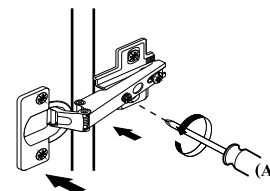
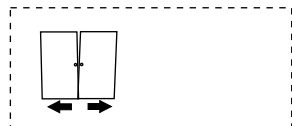
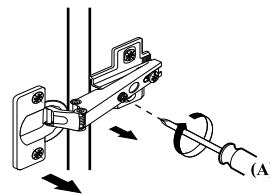
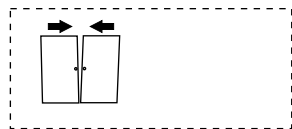
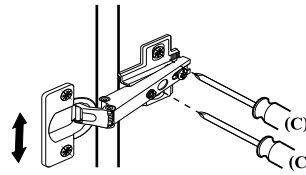
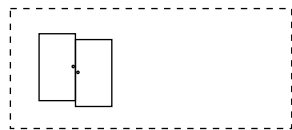
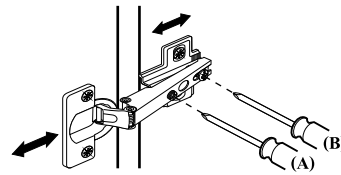
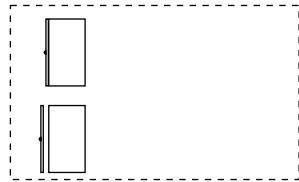
Fix wall strap to wall using suitable screw and rawl plug



Level the Wardrobe



Adjust the Wardrobe Doors



Care and maintenance

Your furniture may be cleaned by wiping with a damp cloth and drying with a soft clean cloth.

Do not use abrasives, bleach, alcohol or ammonia-based household polishes.

Take care when handling or moving the furniture. Careless handling may cause damage.

Safety notes

Warning! Furniture can be dangerous if incorrectly installed. Assembly to be carried out by two competent adults only.

Warning! Keep children clear during assembly as pack contains small parts which may present a choking hazard.

Warning! Do not use this item if any components are missing or damaged.

Warning! Never drag furniture when moving it, always lift it.

Warning! Ensure the wall strap is installed using an appropriate wall fixing.

Ensure the strap is attached securely at both ends to prevent danger of furniture tipping over.

Please make sure that all assembly fittings are always tightened properly. Please check them regularly to ensure that they are tightened.

The product can be cleaned with a damp cloth. Occasional use of furniture polish can help maintain its good condition. Never use bleach or aggressive abrasives.

Our furniture will endure most temperature in the home but it is best to avoid placing furniture next to heat sources such as radiators or fires. Be particularly careful with solid wood as the lack of humidity caused by central heating can cause damage such as warping.

It is recommended that before moving heavy objects to a new location they are completely dis-assembled to avoid personal injury or damage to the furniture.

Please be careful to retain all fittings when doing this.