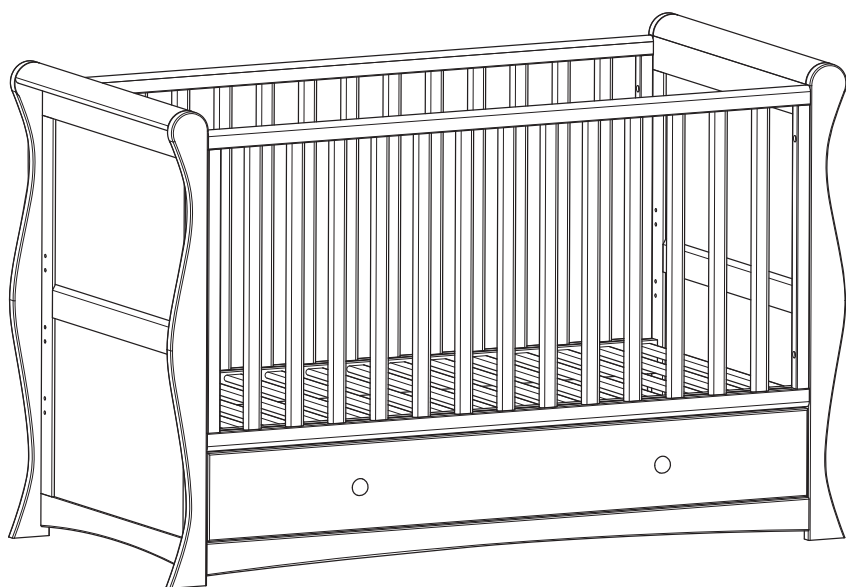


Martha Sleigh cotbed

Instruction manual



John Lewis

**IMPORTANT - RETAIN FOR FUTURE
REFERENCE - PLEASE READ CAREFULLY**

Thank you for purchasing this Martha Sleigh cot bed. Please read the instructions and warnings carefully before use to ensure safe and satisfactory operation of this product.

Your child's safety is your responsibility. If you have a query with this product or require replacement Parts, please contact your nearest John Lewis department store.

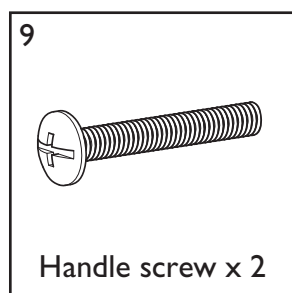
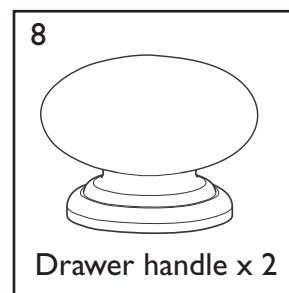
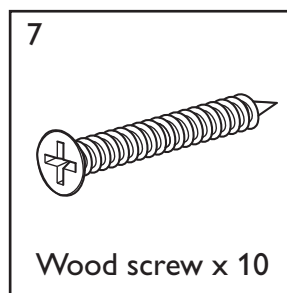
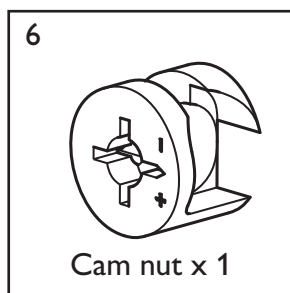
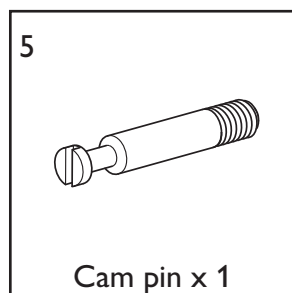
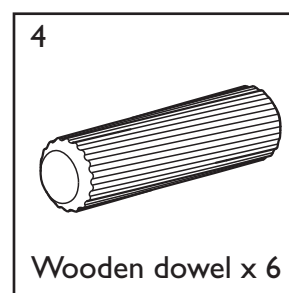
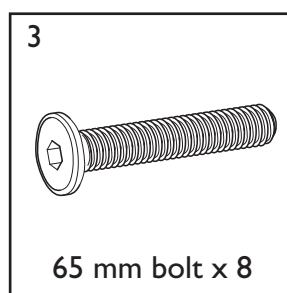
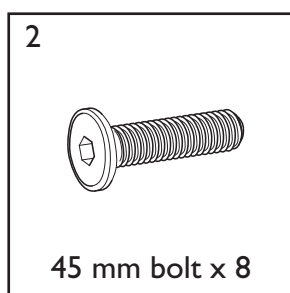
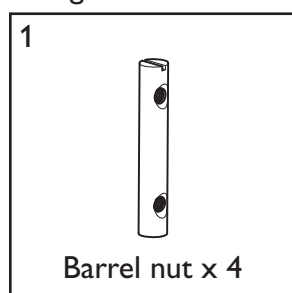
Lay out the Parts on a soft level surface and compare to the Part/Fixings checklist on pages 2 and 3. Do not discard any packaging until you are sure that you have all the Parts.

Ensure that your child is kept clear during assembly due to small Parts.

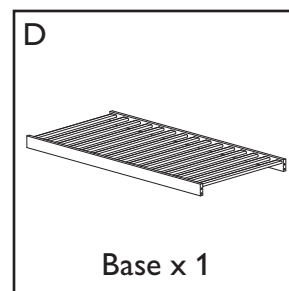
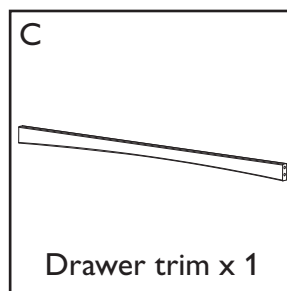
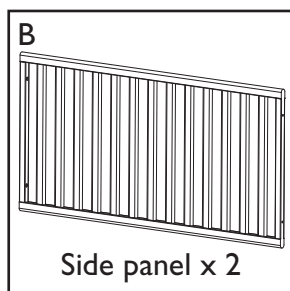
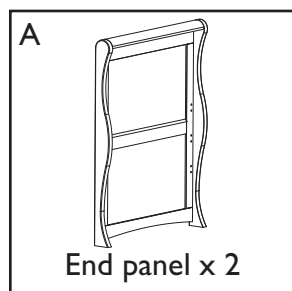
Recommended mattress: 70 x 140 cm

This product complies with BS EN 716 - 1: 2008 and BS 8509: 2008

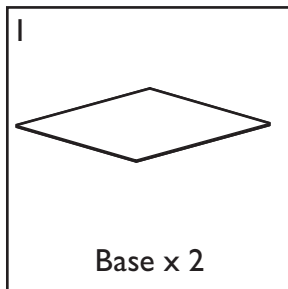
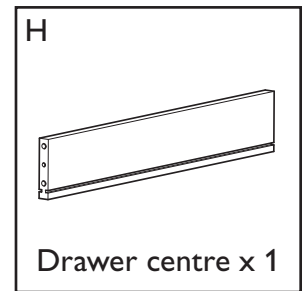
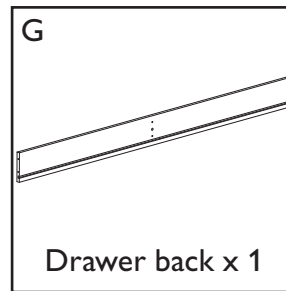
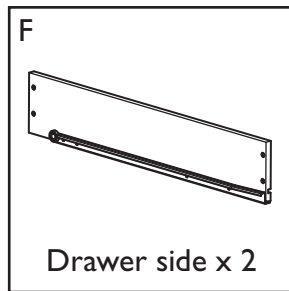
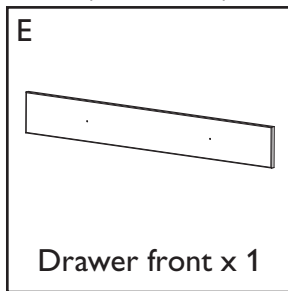
Fixings



Parts



Parts (continued)



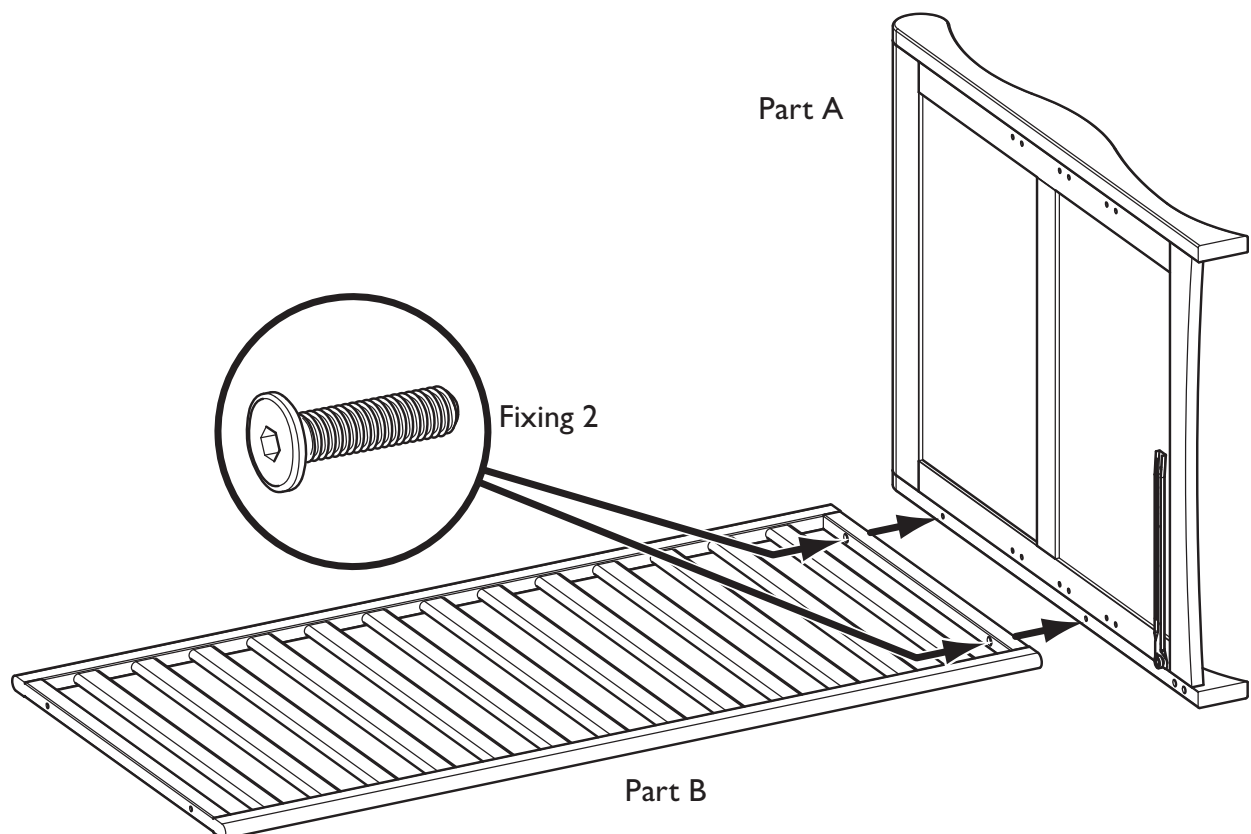
You will need:

1 x 6mm Allen Key (supplied)

Flat-headed screwdriver

Cross-point screwdriver

Cot assembly - step 1

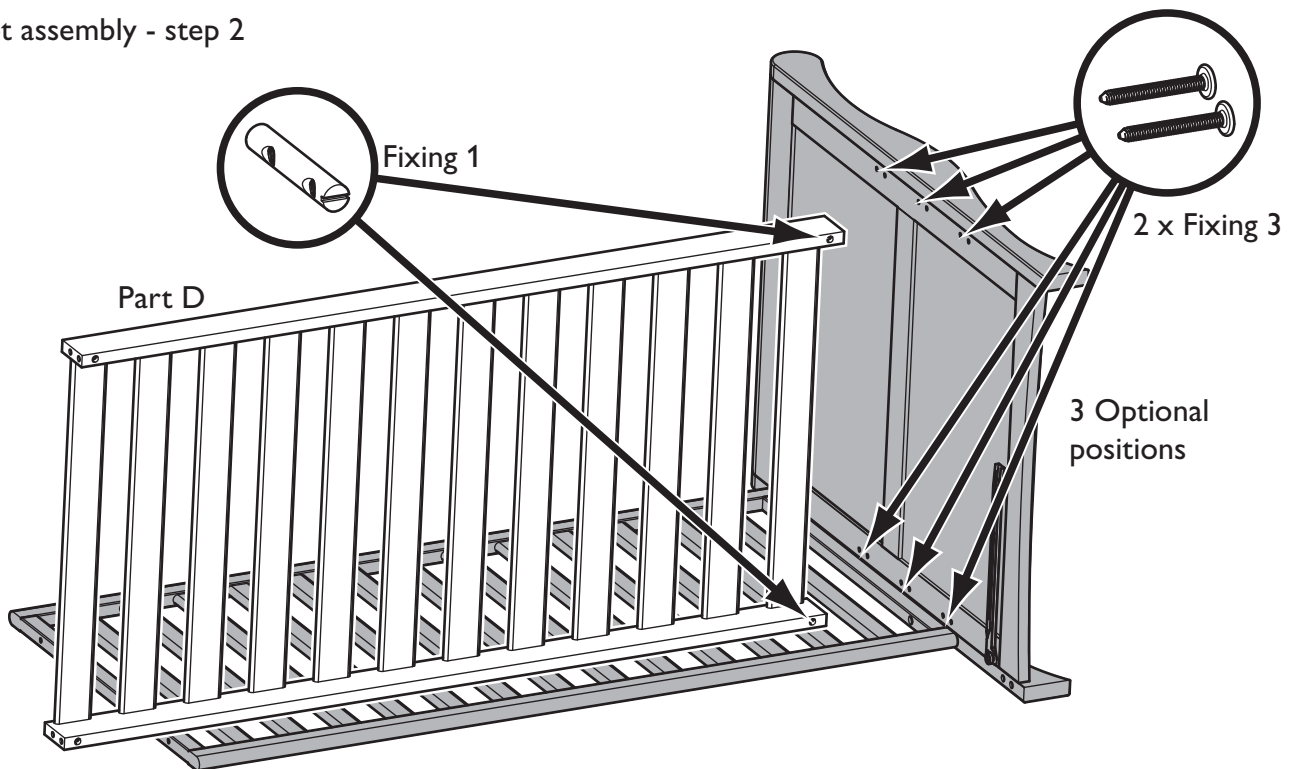


Take one End panel (Part A) and lay it on edge as shown on a soft surface with the drawer runner nearest the floor.

Attach one Side panel (Part B) using two 45mm bolts (Fixing 2).

Do not fully tighten the bolts at this stage.

Cot assembly - step 2



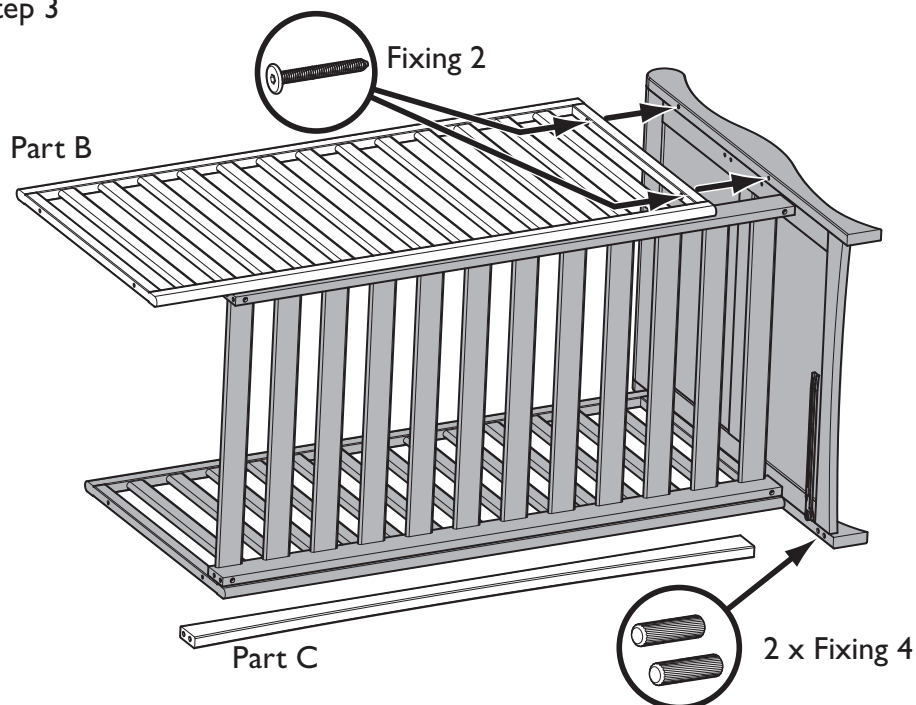
Push two barrel nuts (Fixing 1) into the holes in the underside edges of the base (Part D) so that the slot in the end is visible and is in line with the base rail. If it is not, use a flat-bladed screwdriver to correct it.

Select the desired base position from the three available.

NOTE: the lowest position is the safest and should always be used as soon as your child is able to sit up unaided.

Attach the base (Part D) to the assembly from step 1 using four 65mm bolts (Fixing 3). Do not fully tighten the bolts at this stage.

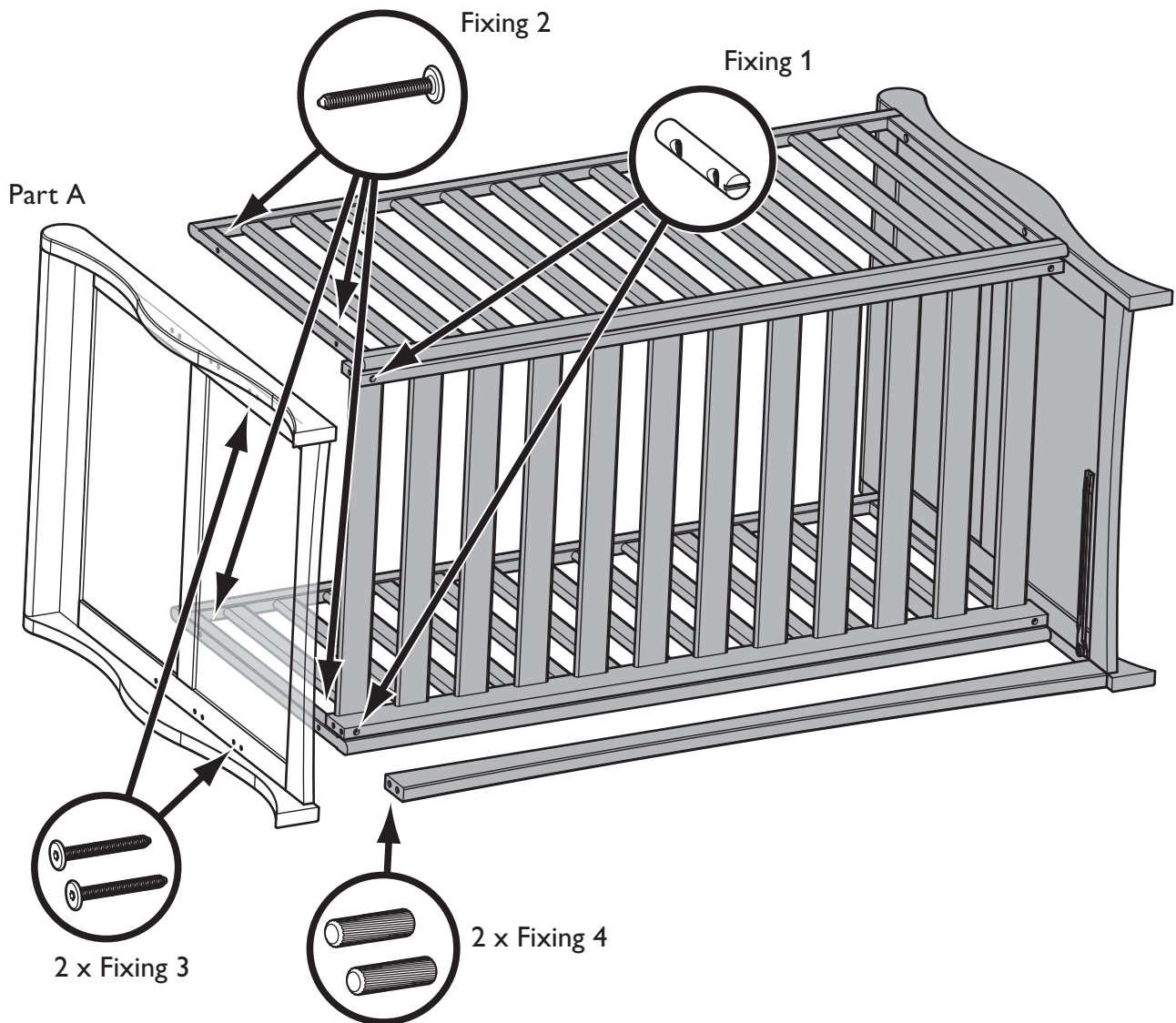
Cot assembly - step 3



Attach the second Side panel (Part B) using two 45mm bolts (Fixing 2). Do not fully tighten bolts.

Push two Dowels (Fixing 4) into the holes in the lower leg of the End panel (Part A) and then attach the Drawer trim (Part C) by pushing it onto the Dowels. Ensure that the curve in this part is on the lower edge.

Cot assembly - step 4

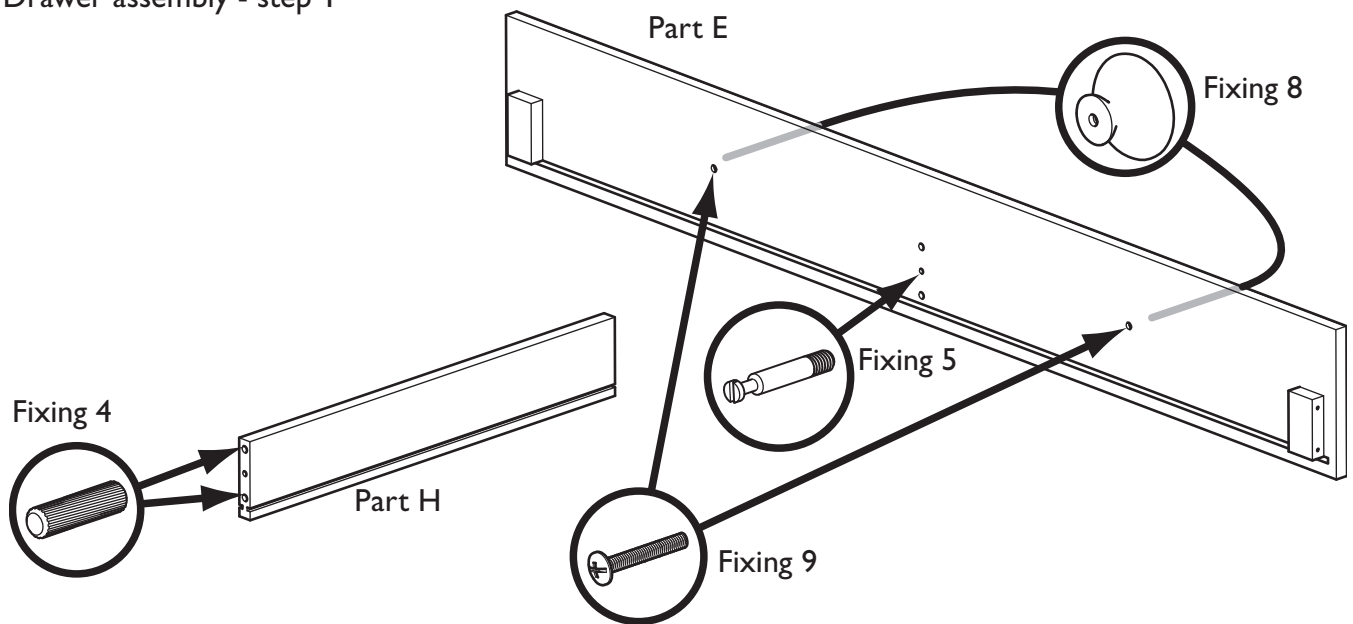


Push the two remaining Dowels (Fixing 4) into the holes in the end of the Drawer trim (Part C). Insert two Barrel nuts (Fixing 1) into the holes in the underside of the Base (Part D) and ensure that the slots are aligned correctly (See step 2) Attach the second End panel (Part A) making sure that the Dowels in the Drawer trim are correctly fitted in to the holes in the End panel, then insert the four 65mm bolts (Fixing 3) and four 45mm bolts (Fixing 2) into the holes indicated above.

Stand the Cot upright and place in its final position, ensuring that the Drawer trim (Part C) is facing away from any walls.

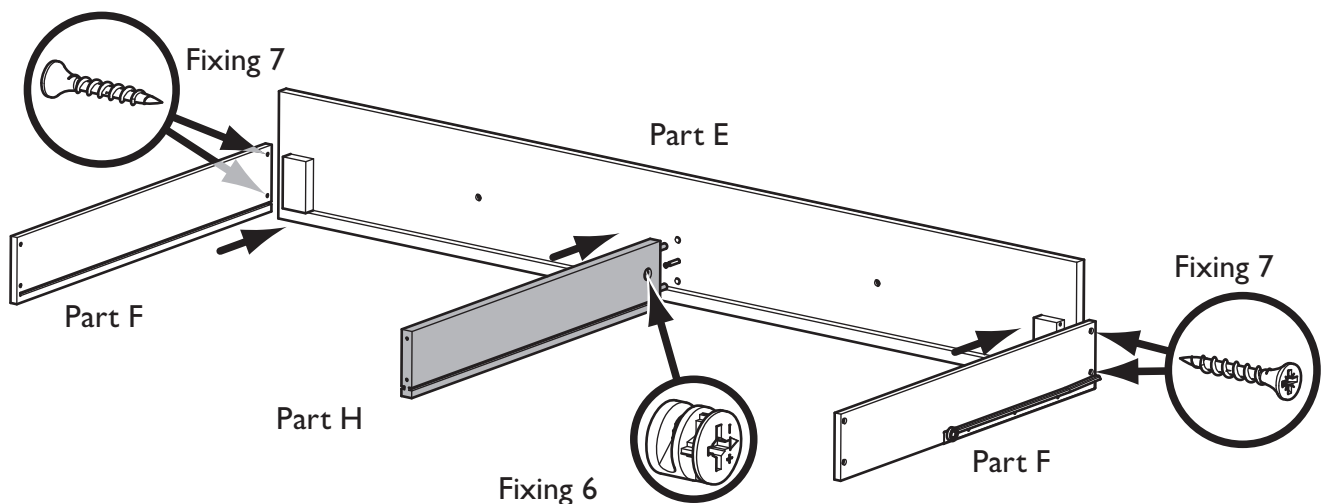
Fully tighten ALL bolts

Drawer assembly - step 1



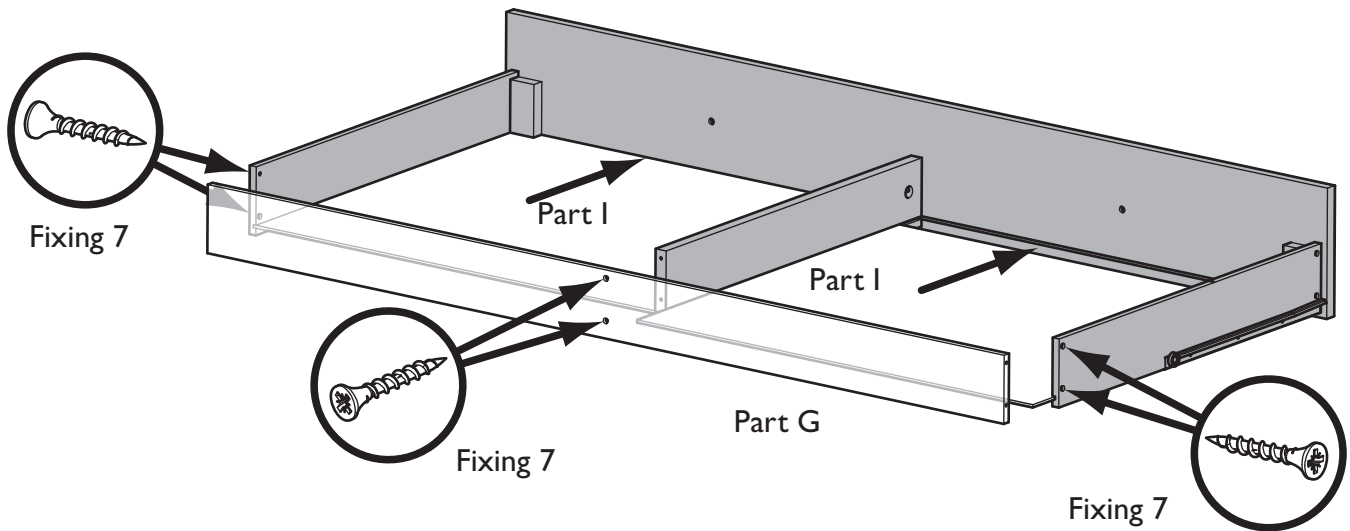
Push two dowels (Fixing 4) into the holes in the end of the Drawer centre (Part H). Attach the Drawer handles (Fixing 8) to the Drawer front (Part E) with the two Handle screws (Fixing 9). Screw the Cam pin (Fixing 5) into the centre hole in the Drawer front (Part E).

Drawer assembly - step 2



Push the Drawer centre (Part H) onto the Cam pin (Fixing 5) that was fitted to the Drawer front (Part E) in the previous stage. Ensure that the slots in both parts line up with each other. Push the Cam nut (Fixing 6) into the large hole in the side of the Drawer centre (Part H) with the pointed end of the slot facing the Drawer front (Part E) as shown in the diagram. To secure, use a large flat-bladed screwdriver and turn the Cam nut (Fixing 6) clockwise approximately 1/2 a turn, until the parts are drawn tightly together. Attach the Drawer sides (Parts F) to the Drawer front (Part E) using four Wood screws (Fixing 7). Ensure that the metal runners are nearest the Drawer front (Part E).

Drawer assembly - step 3



Slide the two Drawer bases (Parts I) into the slots in the assembled drawer.

Fit the Drawer back (Part G) onto the rest of the drawer, ensuring that the previously fitted Base parts fit into the slot.

Secure the Drawer back (Part G) using the remaining six Wood screws (Fixing 7).

Ensure that all fixings are fully tightened before fitting the drawer to the Cot.

Final assembly

To fit the drawer, locate the plastic rollers on the drawer in the channels of the metal drawer runners on the cot and slide in.

In use

If desired, the Cot can be converted to a Day bed by removing one of the side panels, or to a Toddler bed by removing both Side panels.

NOTE: If using as either a Day bed or a Toddler bed, the base **MUST** be in the lowest position.

Once the panels have been removed, check the cot carefully to ensure that no fixings have come loose and that there is no damage which may affect the strength of the cot.

Care and maintenance

Your furniture may be cleaned by wiping with a damp cloth and drying with a soft clean cloth.

Do not use abrasives, bleach, alcohol or ammonia-based household polishes.

Take care when handling or moving the furniture. Careless handling may cause damage.

Safety notes - Cot mode

Furniture can be dangerous if incorrectly installed. Assembly should be carried out by a competent person.

Keep children clear during assembly as pack contains small parts which may present a choking hazard.

Warning: Be aware of the risks of open fires and other such sources of strong heat, such as electric bar fires, gas fires, etc. in the near vicinity of the cot.

Warning: Do not use the cot if any part is broken, torn or missing and use only spare parts approved by the manufacturer.

Warning: Do not leave anything in the cot or place the cot close to another product, which could provide a foothold or present a danger of suffocation or strangulation, e.g. strings, blind/curtain cords, etc.

Warning: Do not use more than one mattress in the cot.

The lowest base position is the safest and should be used as soon as your baby is old enough to sit up.

The thickness of the mattress chosen must not reduce the internal depth (from the top of the mattress surface to the top of the side) to less than 500mm with the base in its lowest position or 200mm with the base in the highest position.

The mattress should be no more than 30mm shorter or narrower than the internal length or width of the cotbed. Suitable for use with a mattress of 1400mm in length, 700mm in width and a maximum thickness of 100mm.

All assembly fixings should always be tightened properly. Periodically check all fixings to ensure none have come loose, and that there is no risk of clothing or parts of the body becoming snagged or trapped.

To prevent falls, when the child is able to climb out of the cot, the cot should no longer be used for that child.

Do not allow your child to jump on the cotbed. This may result in damage to the furniture and/or injury to your child.

Safety notes - Toddler bed mode

For ages 18 months to 4 years.

Warning: Do not place this child's bed near heat sources, windows and other furniture.

Warning: Do not use this child's bed if any part is broken, torn or missing.

The mattress should be no more than 30mm shorter or narrower than the internal length or width of the bed. Suitable for use with a mattress of 1400mm in length, 700mm in width and a maximum thickness of 100mm.

Furniture can be dangerous if incorrectly installed. Assembly should be carried out by a competent person.

All assembly fixings should always be tightened properly. Periodically check all fixings to ensure none have come loose, and that there is no risk of clothing or parts of the body becoming snagged or trapped.

Do not allow your child to jump on the bed. This may result in damage to the furniture and/or injury to your child.

Children are likely to play, bounce, jump & climb on beds, therefore the child's bed should not be placed too close to other furniture or windows, and should be placed either tight to any wall or have a gap of 300mm between the wall and the side of the bed.

Keep children clear during assembly as pack contains small parts which may present a choking hazard.

Retain this information leaflet for future reference.

John Lewis Partnership
171 Victoria Street
London
SW1E 5NN
www.johnlewis.com