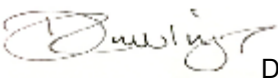




Product / Description	
Bedroom Range	
Design Reference / Range	
HOUSE for John Lewis	
Date Issued	Season / Launch
04/01/2016	AW16
Date Drawn	Drawn By
04/01/2016	 D.Rawlings
Scale	Drawing Name
1:10 @ A3	HOUSE_Bedroom Range_13777_REV2_040116
Notes	

DESIGN DETAILING

- Integrated handle, solid lipped
- Solid timber platform with angled leg
- 22mm Radius carcass edges, solid lipped

MATERIALS

- Oak and Oak veneer 0-5% sheen

sheet 1/7

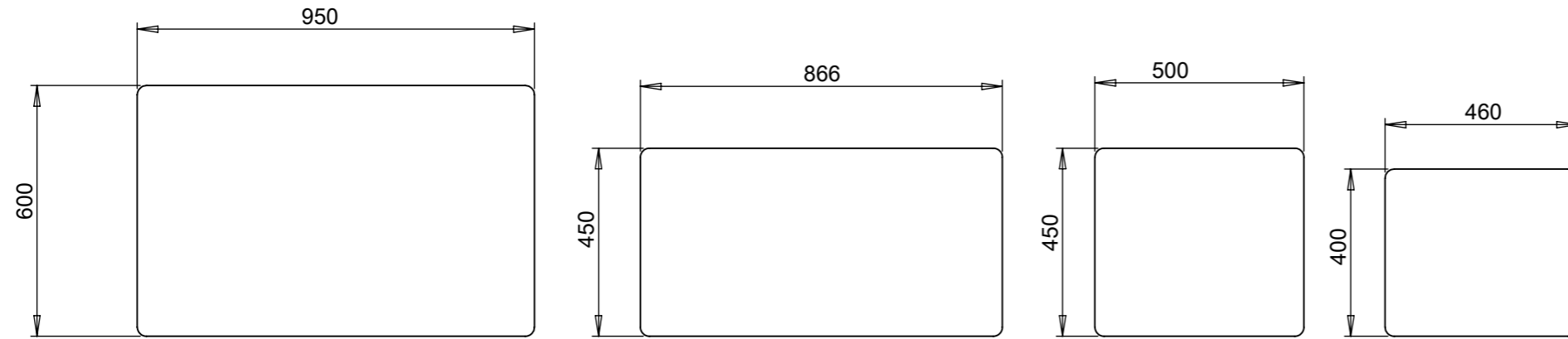
TERMS AND CONDITIONS

1. John Lewis has created and developed a unique range of furniture, furnishings and related products for interior decorating ("the John Lewis Range") by own product development ("the John Lewis Models") and by sourcing and including products existing on the market after amending the product and giving it a specific outlook for the John Lewis version ("Amended Models").
2. The John Lewis Models and/or model concepts, improvements or modifications thereof or further developments of the underlying idea behind the John Lewis Models shall remain the sole property of John Lewis and be vested in the intellectual property rights of John Lewis, regardless of which party has suggested or developed such improvement, modification or further development.
3. All samples, drawings, specifications or other documents relating to John Lewis Models or production thereof submitted to the manufacturer shall remain the sole property of John Lewis. Documents and samples received by the manufacturer shall not be used for any other purpose than production of the John Lewis Models and may not be copied or reproduced without the consent of John Lewis and shall be promptly returned to John Lewis including all copies thereof, upon instruction by John Lewis.
4. The Manufacturer may not directly or indirectly manufacture, exhibit, sell or supply plagiarism of an John Lewis Model. Plagiarism shall mean any product which is based on a John Lewis Model and which appears to John Lewis in its reasonable judgement, with regard to design, material or workmanship, to be the same or similar to an John Lewis Model.

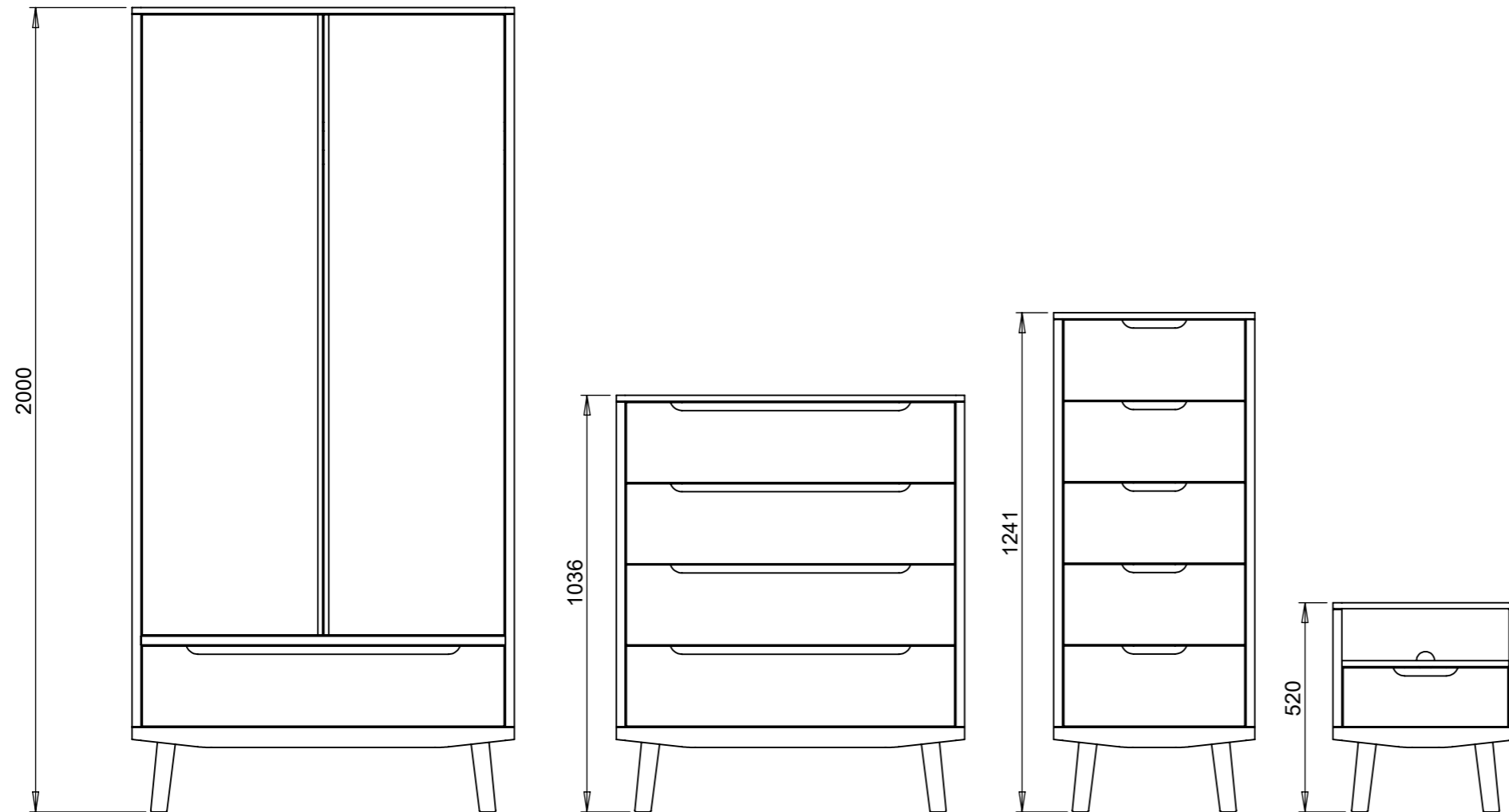
John Lewis

171 Victoria Street, London, SW1E 5NN

TOP VIEW



FRONT VIEW

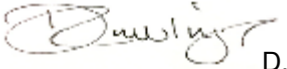


WARDROBE

4 DRAWER CHEST

5 DRAWER TALL CHEST

BEDSIDE TABLE

Product / Description	
Bedroom Range	
Design Reference / Range	
HOUSE for John Lewis	
Date Issued	Season / Launch
04/01/2016	AW16
Date Drawn	Drawn By
04/01/2016	 D.Rawlings
Scale	Drawing Name
1:15 @ A3	HOUSE_Bedroom Range_13777_REV2_040116
Notes	

DESIGN DETAILING

- Integrated handle, solid lipped
- Solid timber platform with angled leg
- 22mm Radius carcass edges, solid lipped

MATERIALS

- Oak and Oak veneer 0-5% sheen

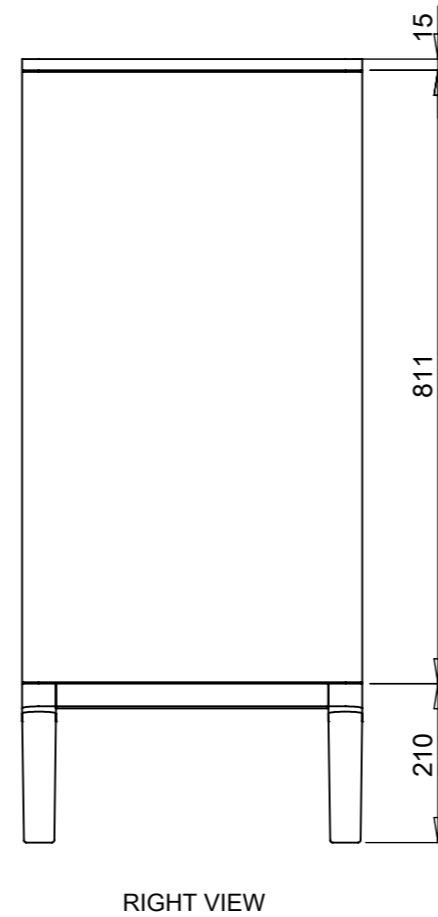
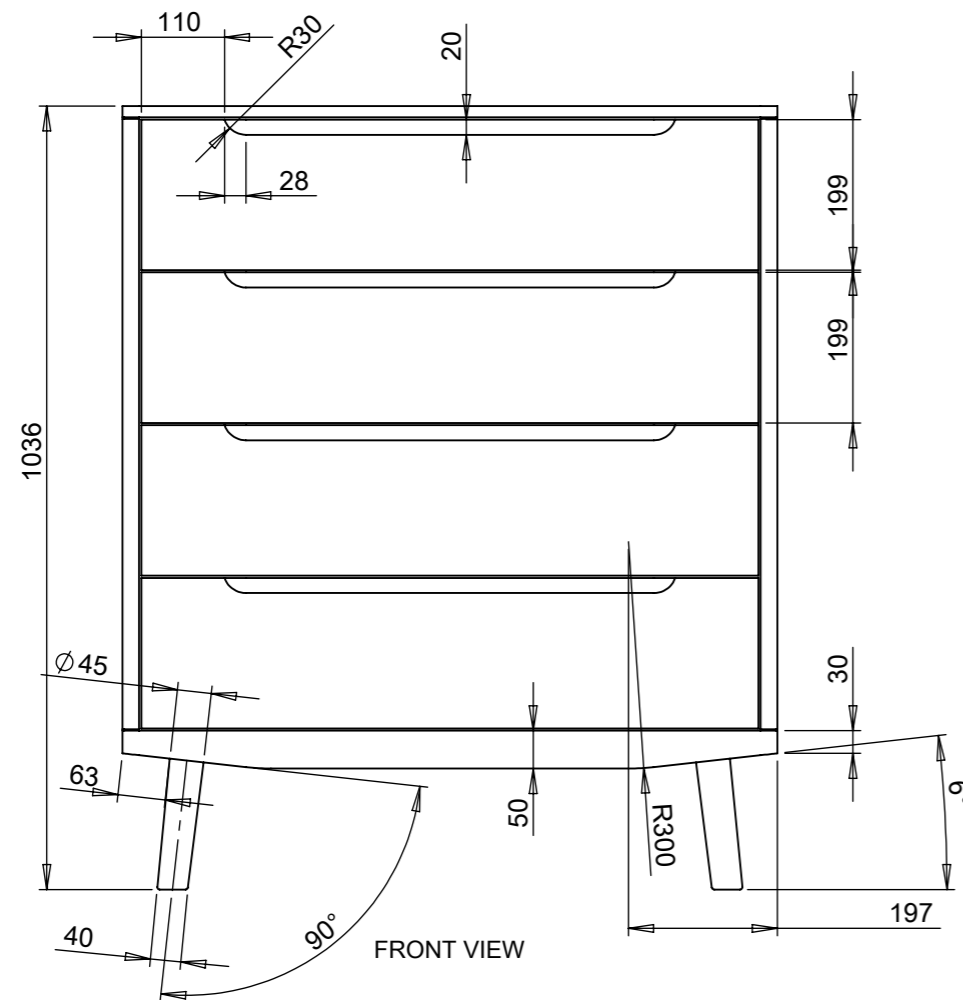
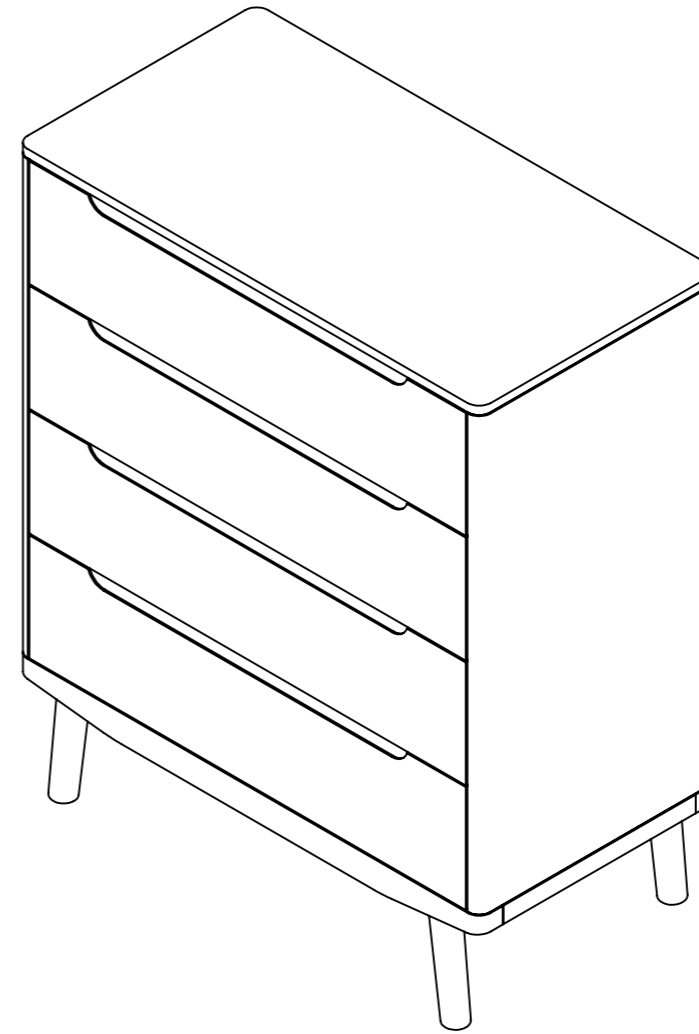
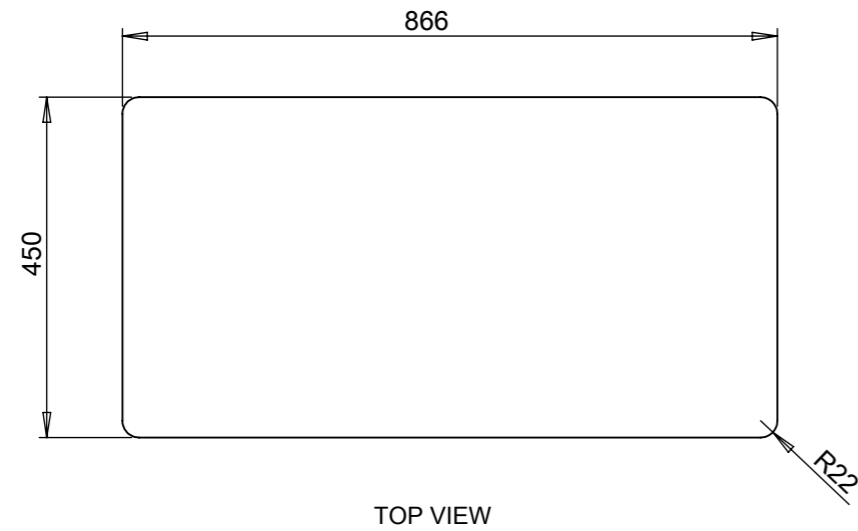
TERMS AND CONDITIONS

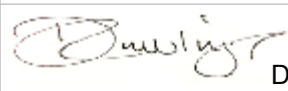
1. John Lewis has created and developed a unique range of furniture, furnishings and related products for interior decorating ("the John Lewis Range") by own product development ("the John Lewis Models") and by sourcing and including products existing on the market after amending the product and giving it a specific outlook for the John Lewis version ("Amended Models").

2. The John Lewis Models and/or model concepts, improvements or modifications thereof or further developments of the underlying idea behind the John Lewis Models shall remain the sole property of John Lewis and be vested in the intellectual property rights of John Lewis, regardless of which party has suggested or developed such improvement, modification or further development.

3. All samples, drawings, specifications or other documents relating to John Lewis Models or production thereof submitted to the manufacturer shall remain the sole property of John Lewis. Documents and samples received by the manufacturer shall not be used for any other purpose than production of the John Lewis Models and may not be copied or reproduced without the consent of John Lewis and shall be promptly returned to John Lewis including all copies thereof, upon instruction by John Lewis.

4. The Manufacturer may not directly or indirectly manufacture, exhibit, sell or supply plagiarism of an John Lewis Model. Plagiarism shall mean any product which is based on a John Lewis Model and which appears to John Lewis in its reasonable judgement, with regard to design, material or workmanship, to be the same or similar to an John Lewis Model.



Product / Description	
Bedroom Range	
Design Reference / Range	
HOUSE for John Lewis	
Date Issued	Season / Launch
04/01/2016	AW16
Date Drawn	Drawn By
04/01/2016	 D.Rawlings
Scale	Drawing Name
1:10 @ A3	HOUSE_Bedroom Range_13777_REV2_040116

Notes

DESIGN DETAILING

- Integrated handle, solid lipped
- Solid timber platform with angled leg
- 22mm Radius carcass edges, solid lipped

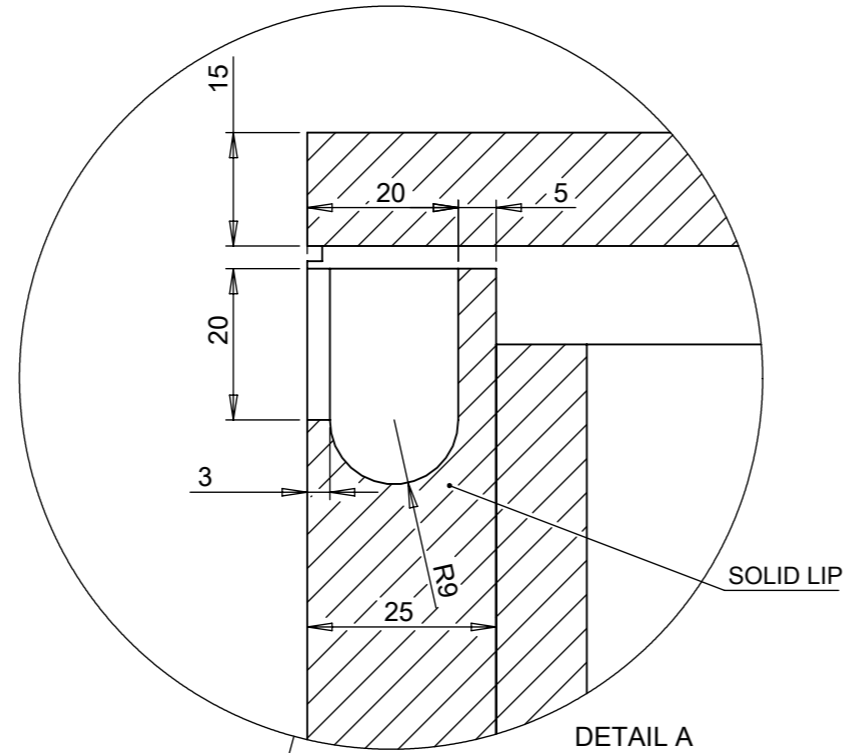
MATERIALS

- Oak and Oak veneer 0-5% sheen

sheet 3/7

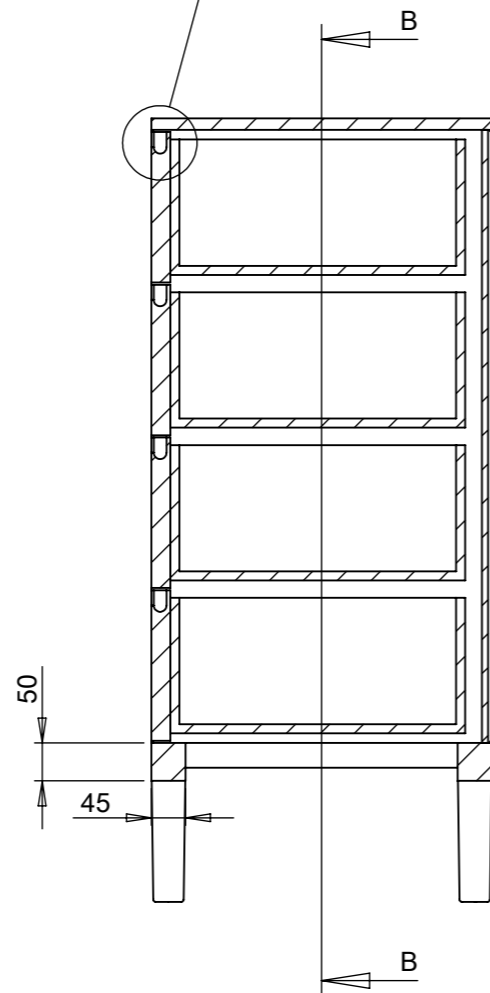
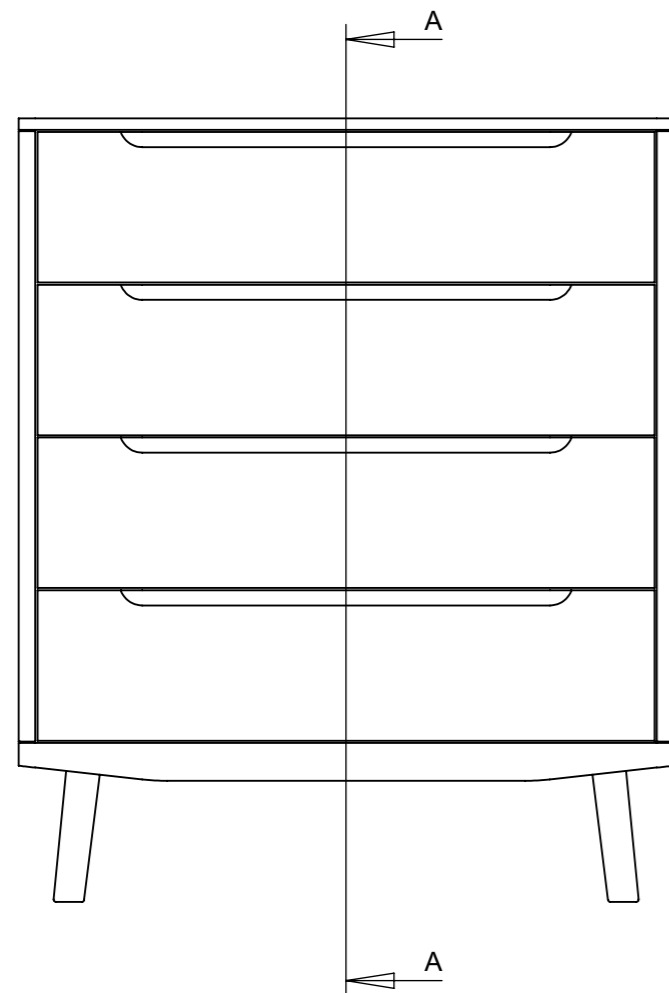
TERMS AND CONDITIONS

1. John Lewis has created and developed a unique range of furniture, furnishings and related products for interior decorating ("the John Lewis Range") by own product development ("the John Lewis Models") and by sourcing and including products existing on the market after amending the product and giving it a specific outlook for the John Lewis version ("Amended Models").
2. The John Lewis Models and/or model concepts, improvements or modifications thereof or further developments of the underlying idea behind the John Lewis Models shall remain the sole property of John Lewis and be vested in the intellectual property rights of John Lewis, regardless of which party has suggested or developed such improvement, modification or further development.
3. All samples, drawings, specifications or other documents relating to John Lewis Models or production thereof submitted to the manufacturer shall remain the sole property of John Lewis. Documents and samples received by the manufacturer shall not be used for any other purpose than production of the John Lewis Models and may not be copied or reproduced without the consent of John Lewis and shall be promptly returned to John Lewis including all copies thereof, upon instruction by John Lewis.
4. The Manufacturer may not directly or indirectly manufacture, exhibit, sell or supply plagiarism of an John Lewis Model. Plagiarism shall mean any product which is based on a John Lewis Model and which appears to John Lewis in its reasonable judgement, with regard to design, material or workmanship, to be the same or similar to an John Lewis Model.

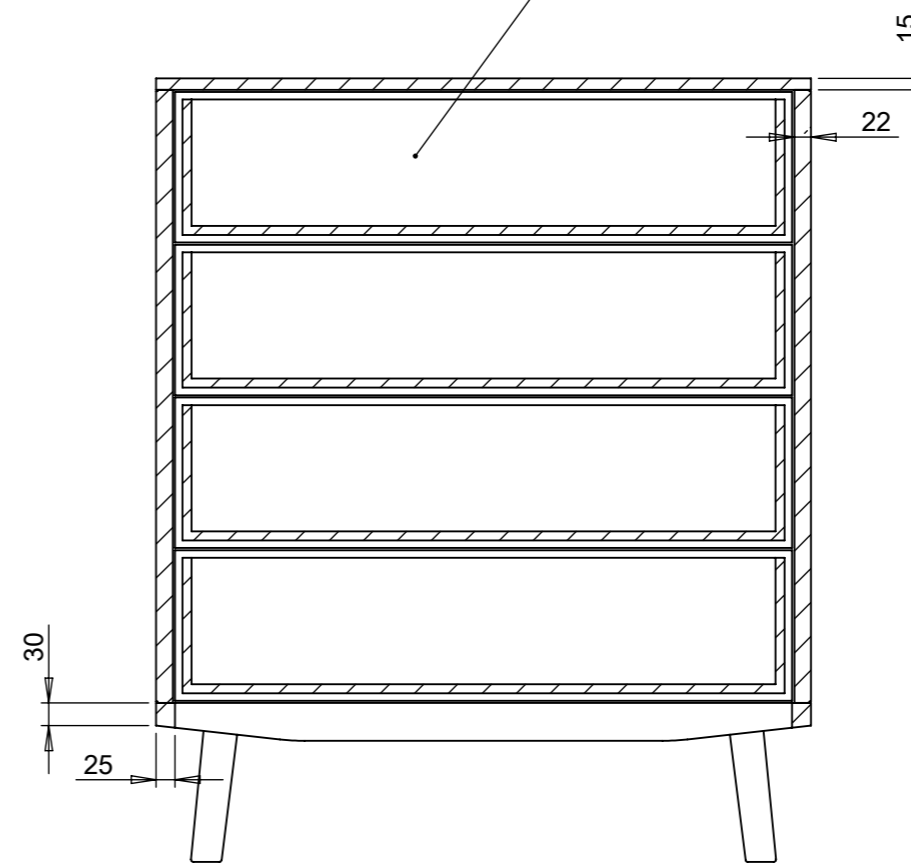


DETAIL A
SCALE 1 : 1


FACTORY TO SPECIFY
DRAWER BOX
CONSTRUCTION, BASE
MOUNTED RUNNERS



SECTION A-A



SECTION B-B

Product / Description	
Bedroom Range	
Design Reference / Range	
HOUSE for John Lewis	
Date Issued	Season / Launch
04/01/2016	AW16
Date Drawn	Drawn By
04/01/2016	 D.Rawlings
Scale	Drawing Name
1:10 @ A3	HOUSE_Bedroom Range_13777_REV2_040116
Notes	

DESIGN DETAILING

- Integrated handle, solid lipped
- Solid timber platform with angled leg
- 22mm Radius carcass edges, solid lipped

MATERIALS

- Oak and Oak veneer 0-5% sheen

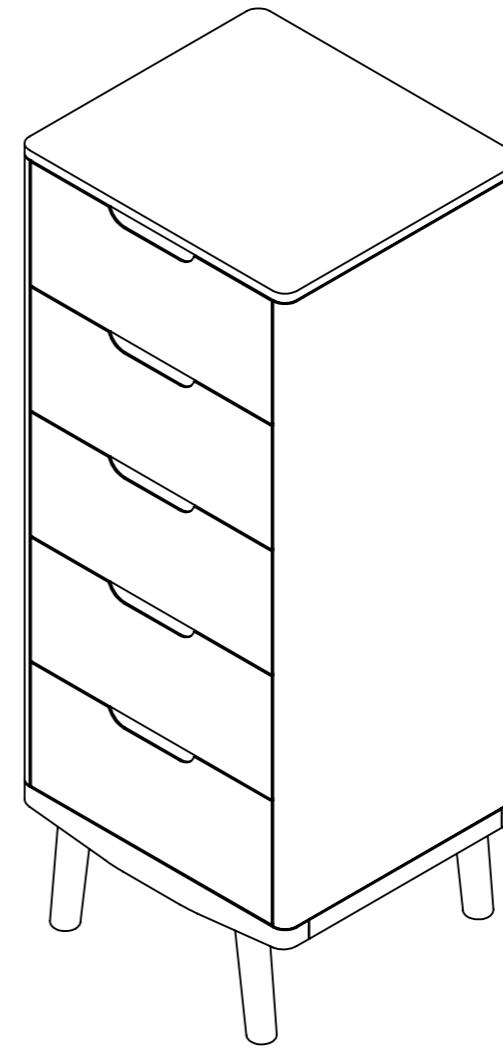
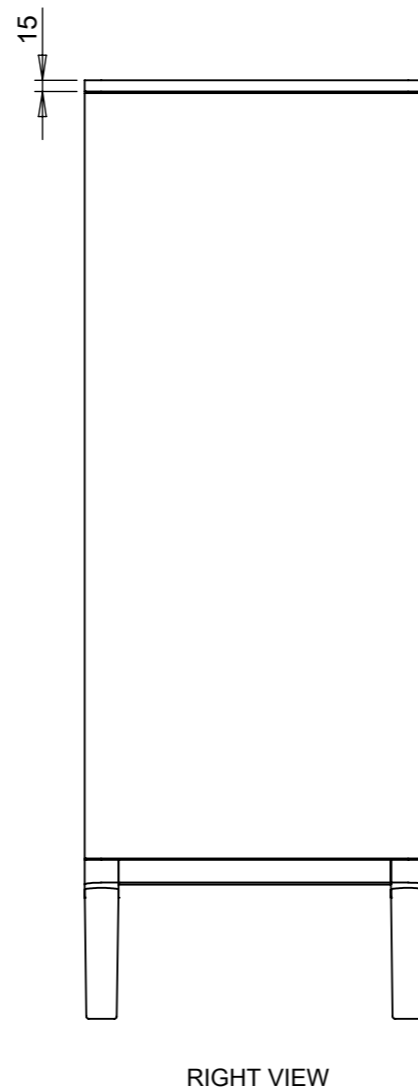
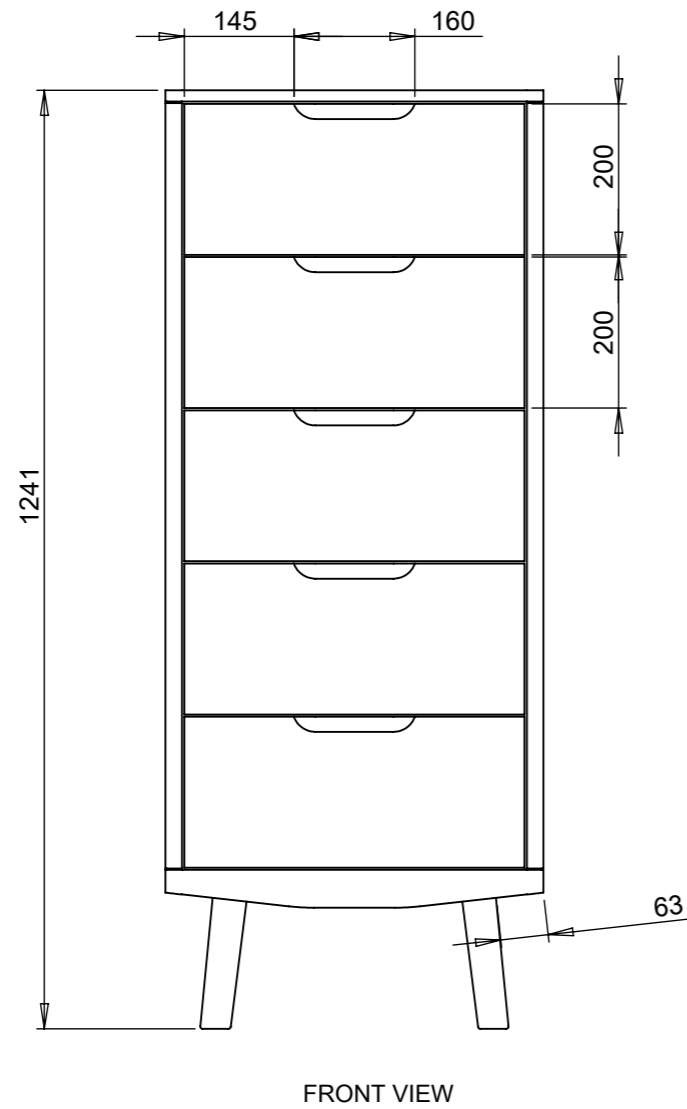
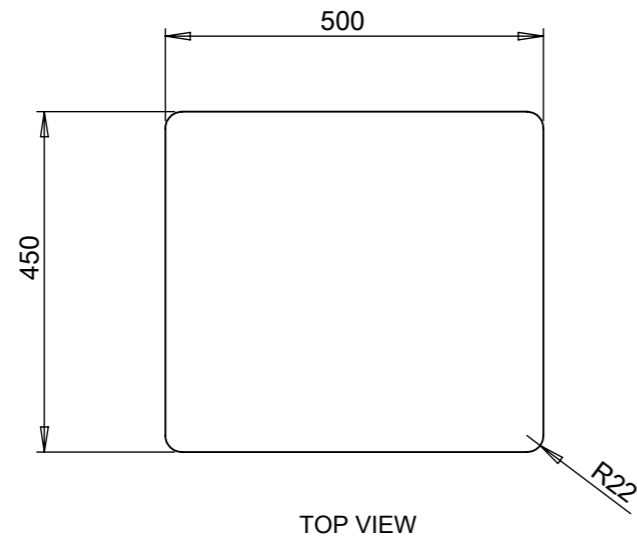
sheet 4/7

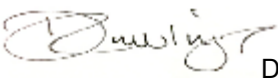
TERMS AND CONDITIONS

1. John Lewis has created and developed a unique range of furniture, furnishings and related products for interior decorating ("the John Lewis Range") by own product development ("the John Lewis Models") and by sourcing and including products existing on the market after amending the product and giving it a specific outlook for the John Lewis version ("Amended Models").
2. The John Lewis Models and/or model concepts, improvements or modifications thereof or further developments of the underlying idea behind the John Lewis Models shall remain the sole property of John Lewis and be vested in the intellectual property rights of John Lewis, regardless of which party has suggested or developed such improvement, modification or further development.
3. All samples, drawings, specifications or other documents relating to John Lewis Models or production thereof submitted to the manufacturer shall remain the sole property of John Lewis. Documents and samples received by the manufacturer shall not be used for any other purpose than production of the John Lewis Models and may not be copied or reproduced without the consent of John Lewis and shall be promptly returned to John Lewis including all copies thereof, upon instruction by John Lewis.
4. The Manufacturer may not directly or indirectly manufacture, exhibit, sell or supply plagiarism of an John Lewis Model. Plagiarism shall mean any product which is based on a John Lewis Model and which appears to John Lewis in its reasonable judgement, with regard to design, material or workmanship, to be the same or similar to an John Lewis Model.

John Lewis

171 Victoria Street, London, SW1E 5NN



Product / Description	
Bedroom Range	
Design Reference / Range	
HOUSE for John Lewis	
Date Issued	Season / Launch
04/01/2016	AW16
Date Drawn	Drawn By
04/01/2016	 D.Rawlings
Scale	Drawing Name
1:10 @ A3	HOUSE_Bedroom Range_13777_REV2_040116

Notes

DESIGN DETAILING

- Integrated handle, solid lipped
- Solid timber platform with angled leg
- 22mm Radius carcass edges, solid lipped

MATERIALS

- Oak and Oak veneer 0-5% sheen

sheet 5/7

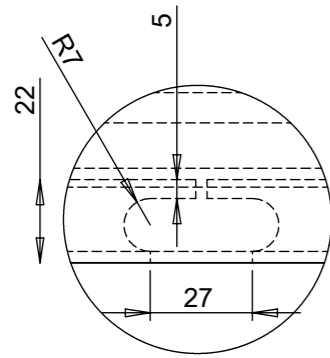
TERMS AND CONDITIONS

1. John Lewis has created and developed a unique range of furniture, furnishings and related products for interior decorating ("the John Lewis Range") by own product development ("the John Lewis Models") and by sourcing and including products existing on the market after amending the product and giving it a specific outlook for the John Lewis version ("Amended Models").

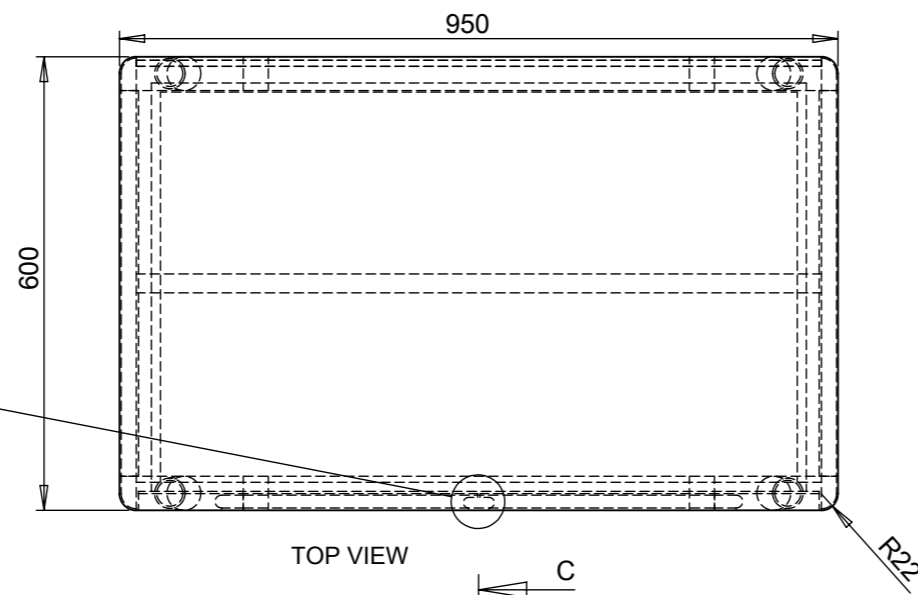
2. The John Lewis Models and/or model concepts, improvements or modifications thereof or further developments of the underlying idea behind the John Lewis Models shall remain the sole property of John Lewis and be vested in the intellectual property rights of John Lewis, regardless of which party has suggested or developed such improvement, modification or further development.

3. All samples, drawings, specifications or other documents relating to John Lewis Models or production thereof submitted to the manufacturer shall remain the sole property of John Lewis. Documents and samples received by the manufacturer shall not be used for any other purpose than production of the John Lewis Models and may not be copied or reproduced without the consent of John Lewis and shall be promptly returned to John Lewis including all copies thereof, upon instruction by John Lewis.

4. The Manufacturer may not directly or indirectly manufacture, exhibit, sell or supply plagiarism of an John Lewis Model. Plagiarism shall mean any product which is based on a John Lewis Model and which appears to John Lewis in its reasonable judgement, with regard to design, material or workmanship, to be the same or similar to an John Lewis Model.

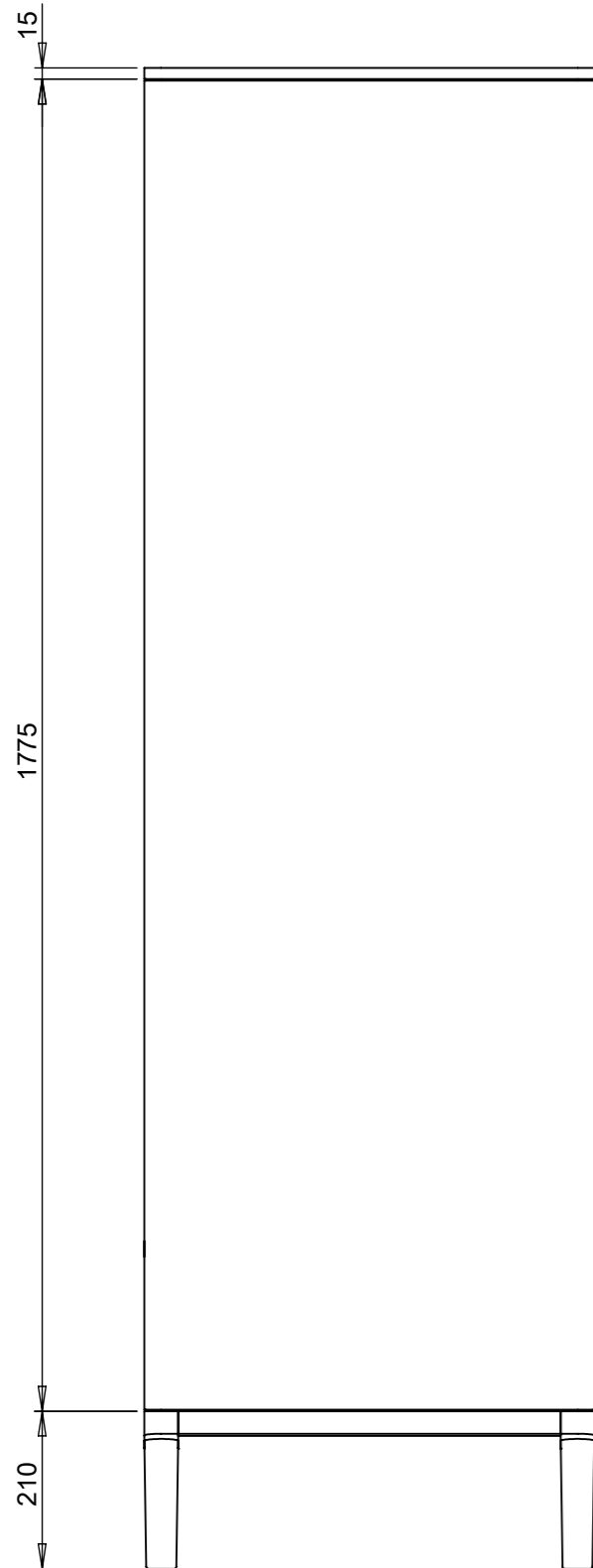


DETAIL B
SCALE 1 : 2

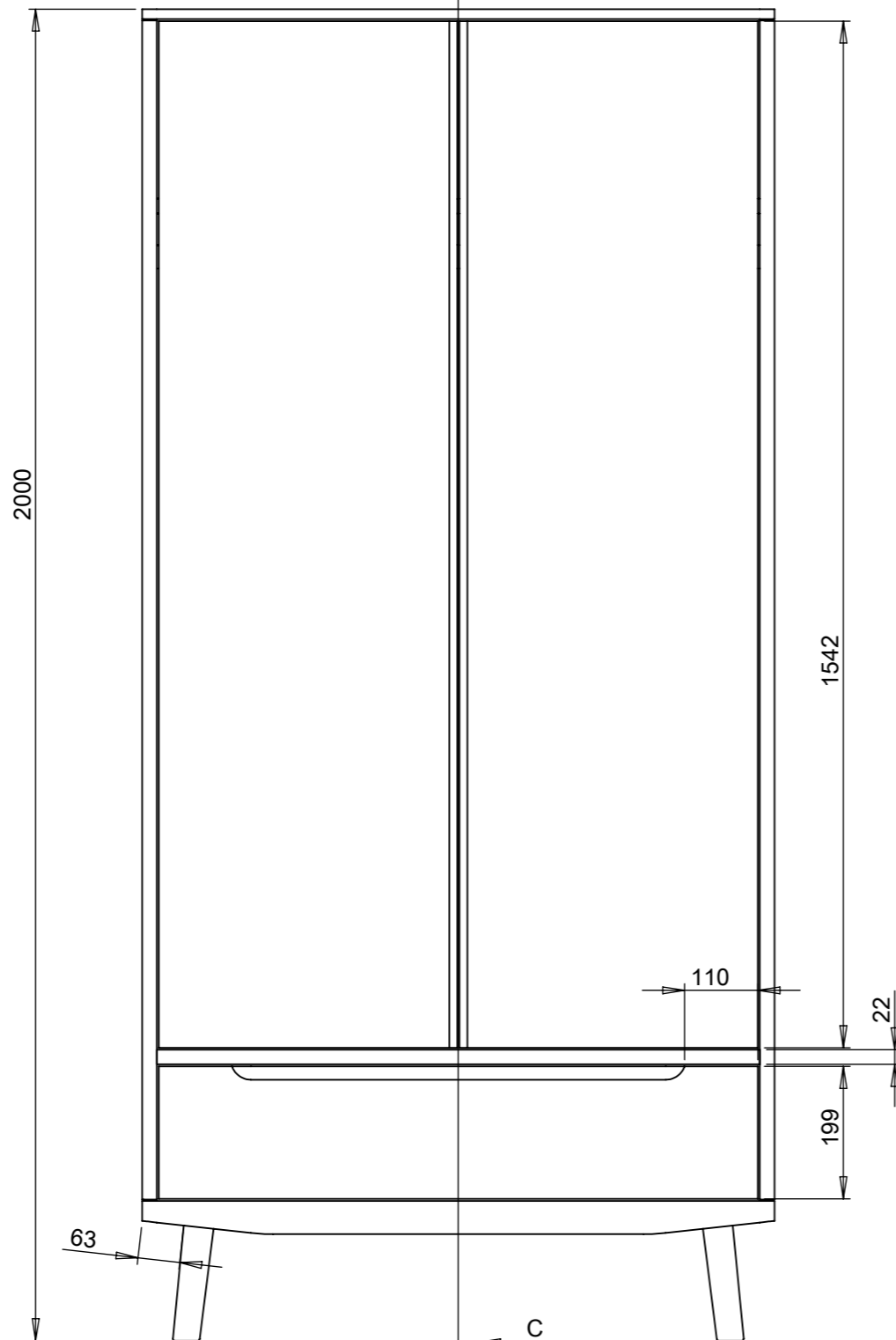


TOP VIEW

C

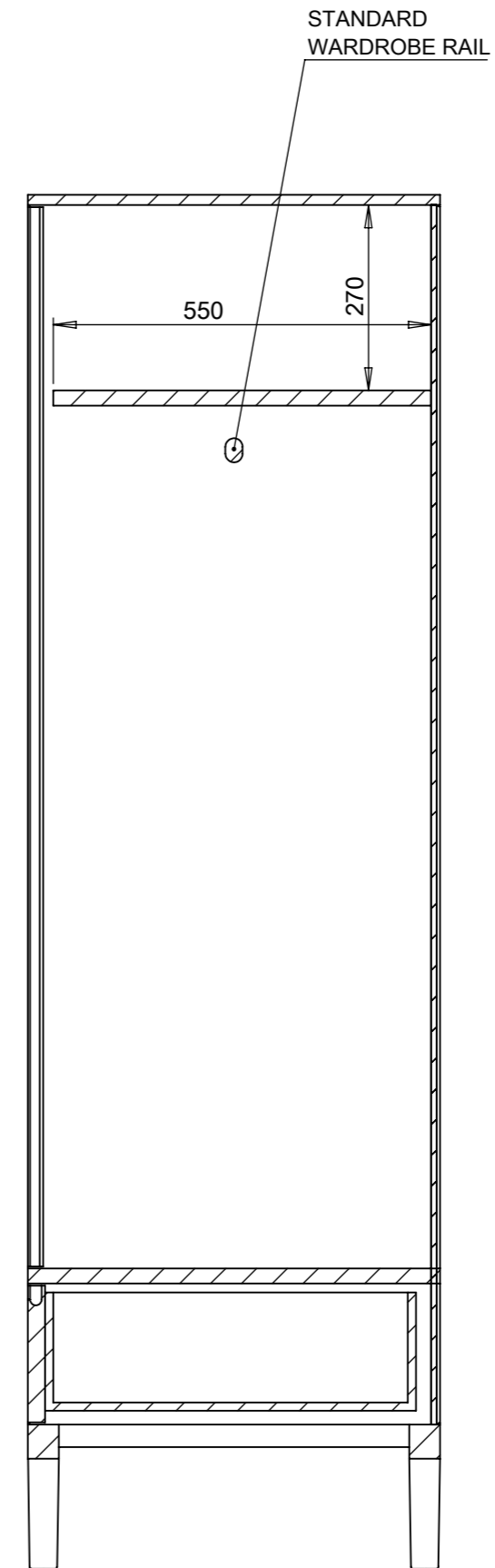


LEFT VIEW



FRONT VIEW

C



SECTION C-C

Product / Description	
Bedroom Range	
Design Reference / Range	
HOUSE for John Lewis	
Date Issued	Season / Launch
04/01/2016	AW16
Date Drawn	Drawn By
04/01/2016	<i>D. Rawlings</i> D.Rawlings
Scale	Drawing Name
1:10 @ A3	HOUSE_Bedroom Range_13777_REV2_040116
Notes	

DESIGN DETAILING

- Integrated handle, solid lipped
- Solid timber platform with angled leg
- 22mm Radius carcass edges, solid lipped

MATERIALS

- Oak and Oak veneer 0-5% sheen

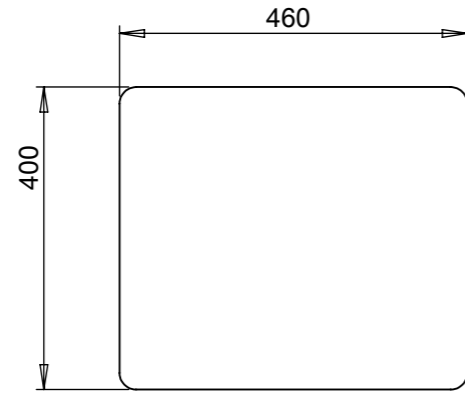
sheet 6/7

TERMS AND CONDITIONS

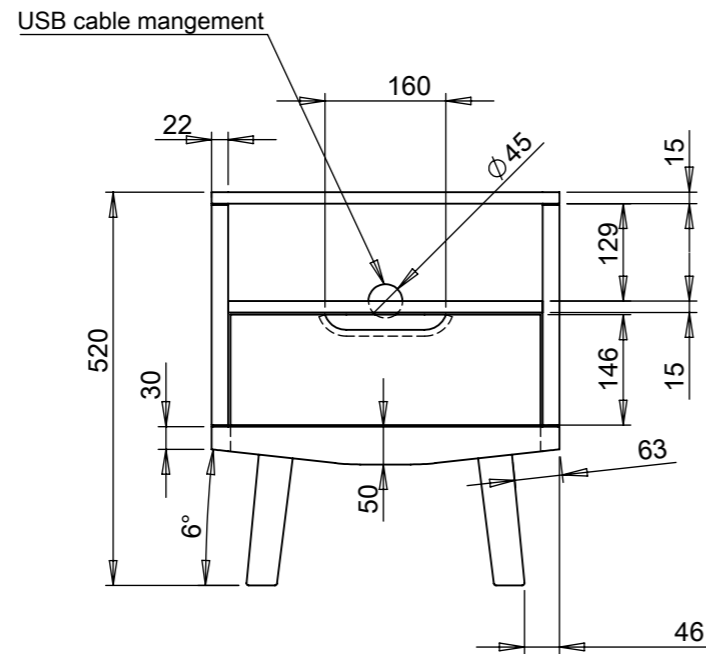
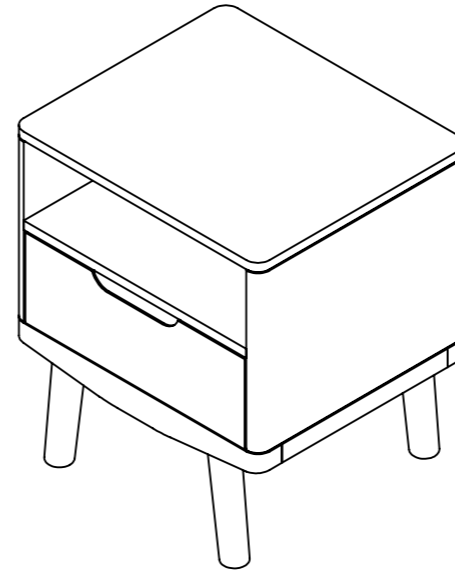
1. John Lewis has created and developed a unique range of furniture, furnishings and related products for interior decorating ("the John Lewis Range") by own product development ("the John Lewis Models") and by sourcing and including products existing on the market after amending the product and giving it a specific outlook for the John Lewis version ("Amended Models").
2. The John Lewis Models and/or model concepts, improvements or modifications thereof or further developments of the underlying idea behind the John Lewis Models shall remain the sole property of John Lewis and be vested in the intellectual property rights of John Lewis, regardless of which party has suggested or developed such improvement, modification or further development.
3. All samples, drawings, specifications or other documents relating to John Lewis Models or production thereof submitted to the manufacturer shall remain the sole property of John Lewis. Documents and samples received by the manufacturer shall not be used for any other purpose than production of the John Lewis Models and may not be copied or reproduced without the consent of John Lewis and shall be promptly returned to John Lewis including all copies thereof, upon instruction by John Lewis.
4. The Manufacturer may not directly or indirectly manufacture, exhibit, sell or supply plagiarism of an John Lewis Model. Plagiarism shall mean any product which is based on a John Lewis Model and which appears to John Lewis in its reasonable judgement, with regard to design, material or workmanship, to be the same or similar to an John Lewis Model.

John Lewis

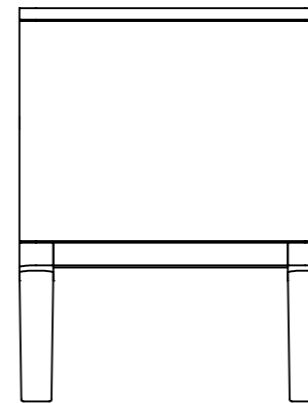
171 Victoria Street, London, SW1E 5NN



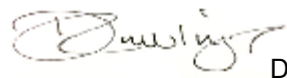
TOP VIEW



FRONT VIEW



RIGHT VIEW

Product / Description	
Bedroom Range	
Design Reference / Range	
HOUSE for John Lewis	
Date Issued	Season / Launch
04/01/2016	AW16
Date Drawn	Drawn By
04/01/2016	 D.Rawlings
Scale	Drawing Name
1:10 @ A3	HOUSE_Bedroom Range_13777_REV2_040116
Notes	

DESIGN DETAILING

- Integrated handle, solid lipped
- Solid timber platform with angled leg
- 22mm Radius carcass edges, solid lipped

MATERIALS

- Oak and Oak veneer 0-5% sheen

sheet 7/7

TERMS AND CONDITIONS

1. John Lewis has created and developed a unique range of furniture, furnishings and related products for interior decorating ("the John Lewis Range") by own product development ("the John Lewis Models") and by sourcing and including products existing on the market after amending the product and giving it a specific outlook for the John Lewis version ("Amended Models").
2. The John Lewis Models and/or model concepts, improvements or modifications thereof or further developments of the underlying idea behind the John Lewis Models shall remain the sole property of John Lewis and be vested in the intellectual property rights of John Lewis, regardless of which party has suggested or developed such improvement, modification or further development.
3. All samples, drawings, specifications or other documents relating to John Lewis Models or production thereof submitted to the manufacturer shall remain the sole property of John Lewis. Documents and samples received by the manufacturer shall not be used for any other purpose than production of the John Lewis Models and may not be copied or reproduced without the consent of John Lewis and shall be promptly returned to John Lewis including all copies thereof, upon instruction by John Lewis.
4. The Manufacturer may not directly or indirectly manufacture, exhibit, sell or supply plagiarism of an John Lewis Model. Plagiarism shall mean any product which is based on a John Lewis Model and which appears to John Lewis in its reasonable judgement, with regard to design, material or workmanship, to be the same or similar to an John Lewis Model.

John Lewis

171 Victoria Street, London, SW1E 5NN